

PANICKER SWITCHGEAR

THANDALAM P.O., SRIPERUMBUDUR.

LOAD BREAK SWITCH

TYPE - LDFT

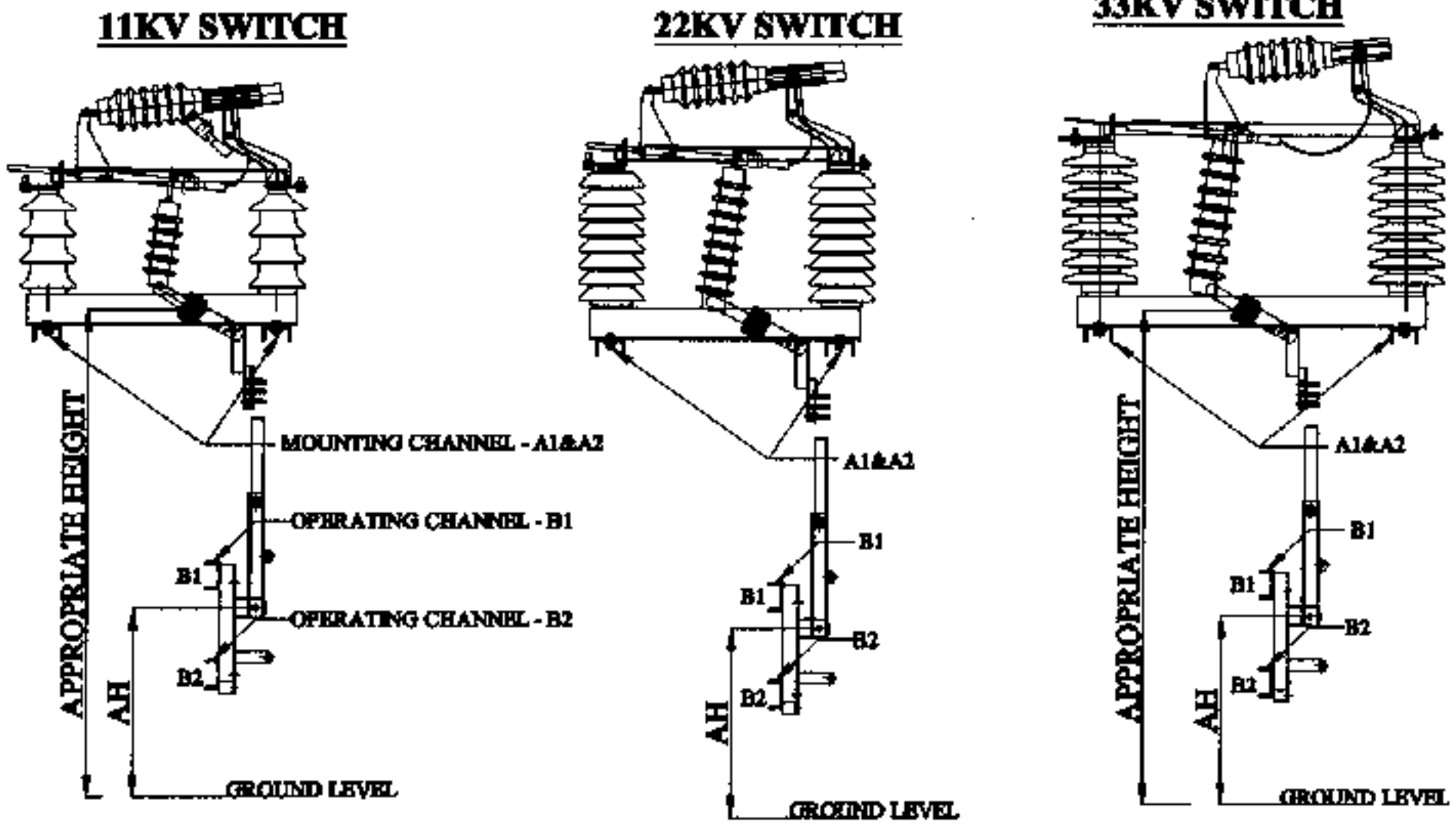
HORIZONTAL/VERTICAL

**INSTRUCTION FOR
MOUNTING/INSTALLATION OF
LOAD BREAK SWITCH
OUTDOOR TYPE**

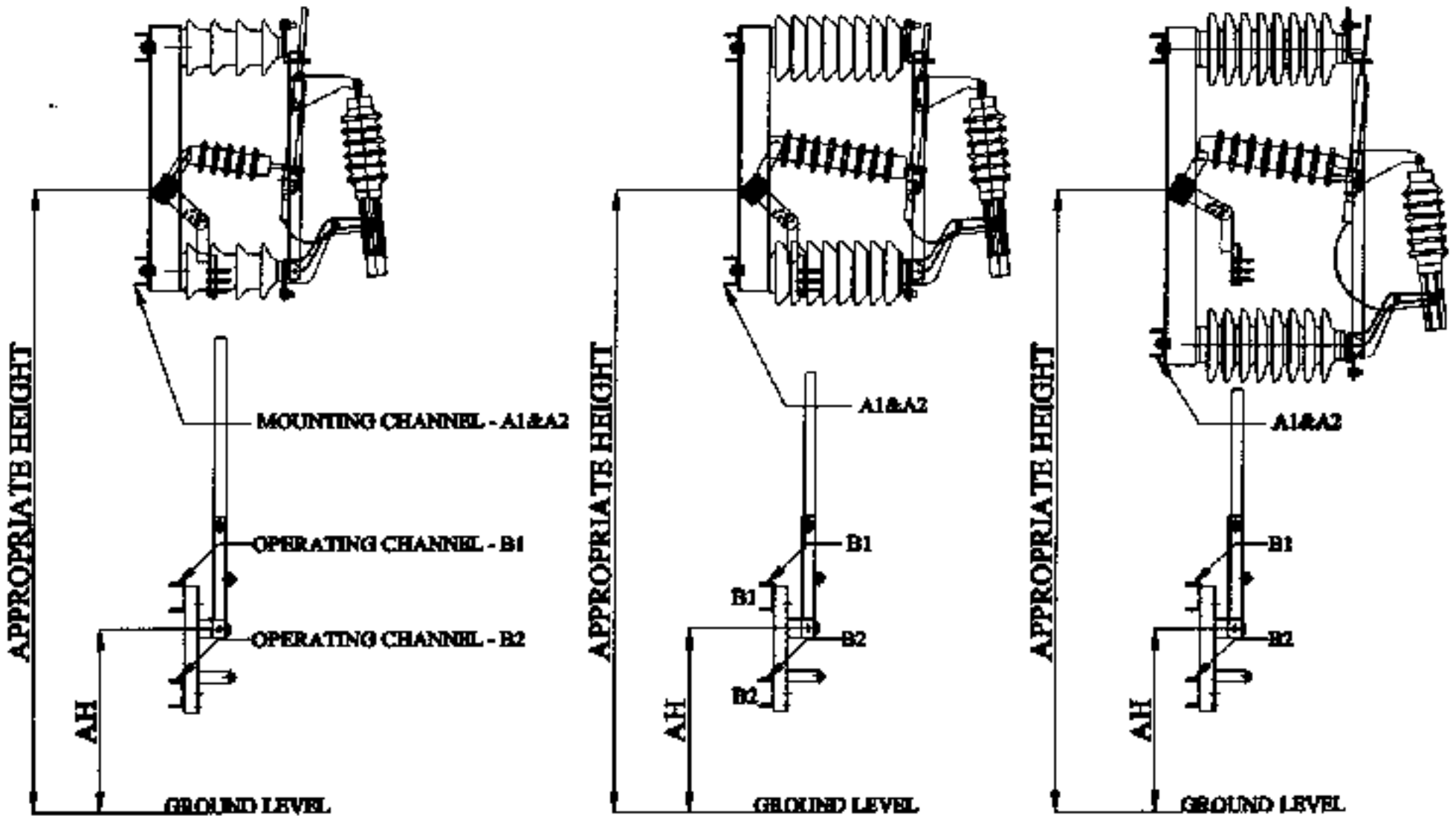
DETAILED INSTRUCTION FOR MOUNTING / INSTALLATION
OF THE LOAD BREAK SWITCH - HORIZONTAL/VERTICAL TYPE

STAGE-1
[Assembly for Switch and Operating Handle]

HORIZONTAL MOUNTING:-



VERTICAL MOUNTING:-



NOTE:-
MOUNTING CHANNELS A1,A2,B1&B2 OR NOT IN OUR SCOPE.

DETAILED INSTRUCTION FOR MOUNTING / INSTALLATION
OF THE LOAD BREAK SWITCH - HORIZONTAL/VERTICAL TYPE

1) Take the switch from the wooden case carefully by using Fork Lift. [for lifting the switch, don't use contact blade, quenching chamber or arcing pin for handling the switch.]

2) A1,A2,B1&B2 are mounting channels for switch and handle base respectively.

3) Depends upon the KV ratings, the distance between the holes in the mounting channel A1 & A2 varied and also the distance between the two channels A1, A2 varied.

NOTE:— The channels A1 ,A2 & B1,B2 give only the details of holes and not the channels size & length, the mounting channels length and size can be calculated incorporating the fixing hole details.

4) Drill the hole as 18Ø in the channels B1,B2 and maintain the distance between the two holes as 260mm.

5) Mounting channels A1,A2,B1,B2 are welded or clamped in the poles on either side at appropriate height required.

6) There are three pair of holes in the operating handle, First pair is already revited the handle with handle base. One end of the operating pipe is connected to second pair of holes, the third pair is already welded on either sides of the handle grip.

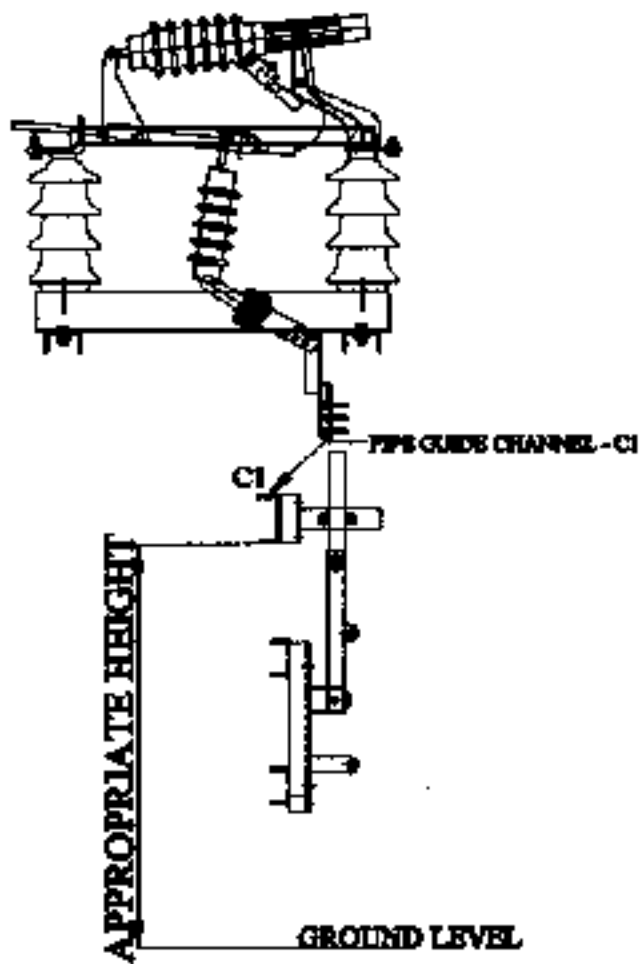
7) After welding or clamping the channels (A1,A2 & B1,B2) in the poles, handle base and switch are tightened to the channels with bolts and nuts.

DETAILED INSTRUCTION FOR MOUNTING / INSTALLATION OF THE LOAD BREAK SWITCH - HORIZONTAL/VERTICAL TYPE

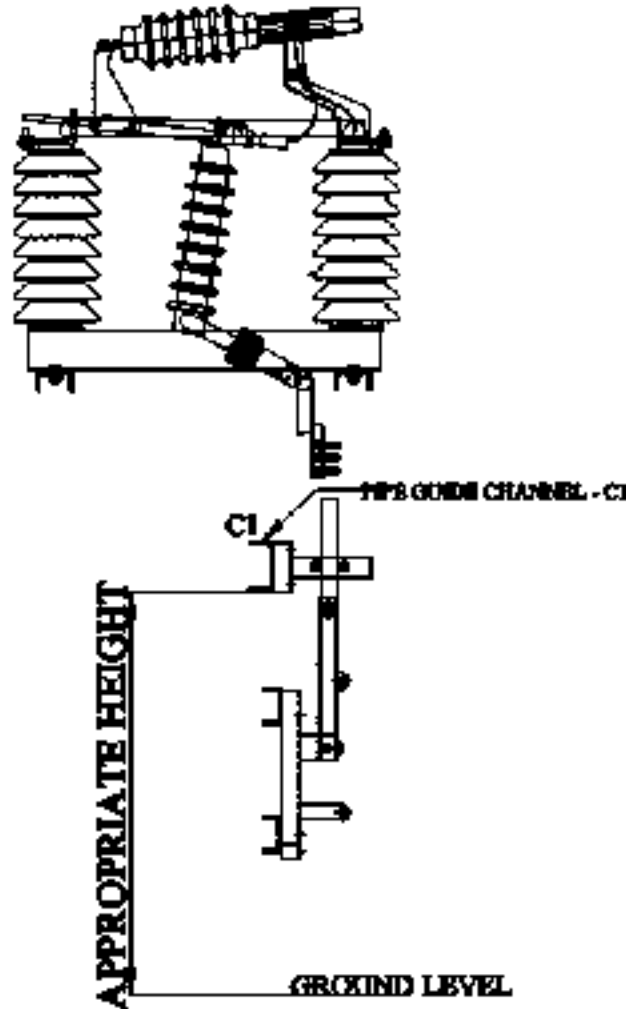
STAGE-2 [Pipe Guide Assembly]

HORIZONTAL MOUNTING:-

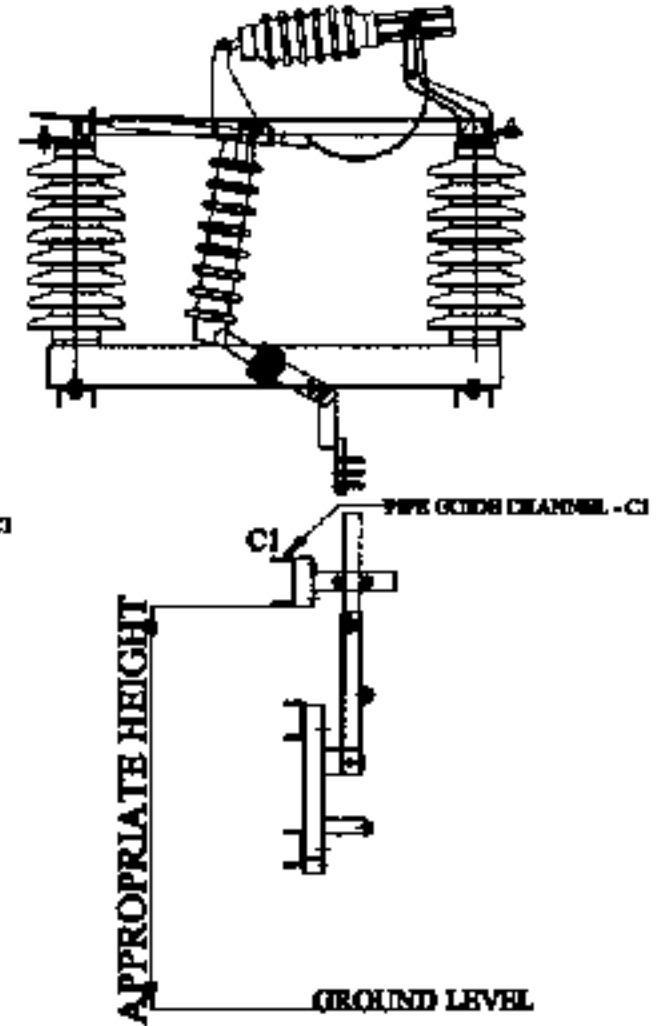
11KV SWITCH



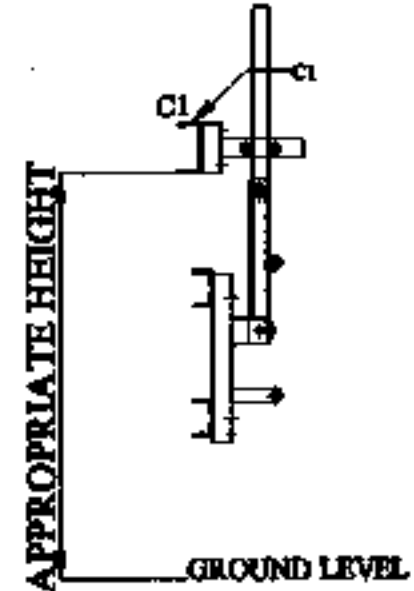
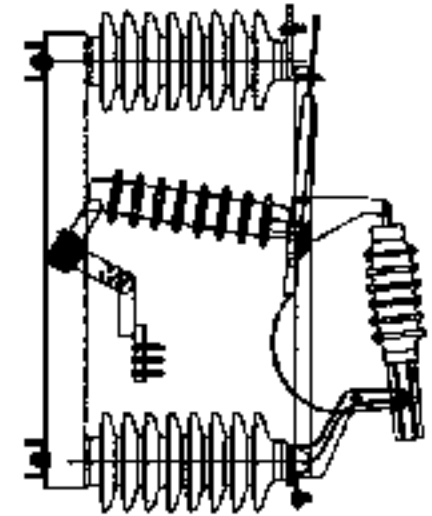
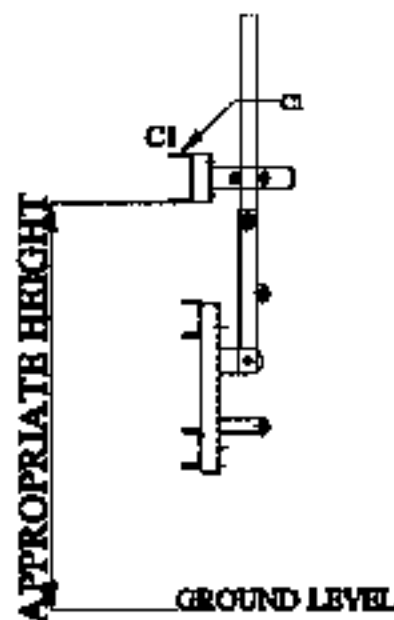
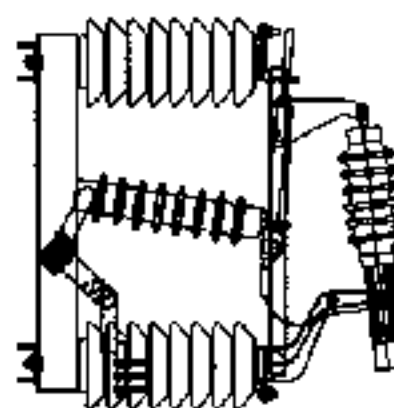
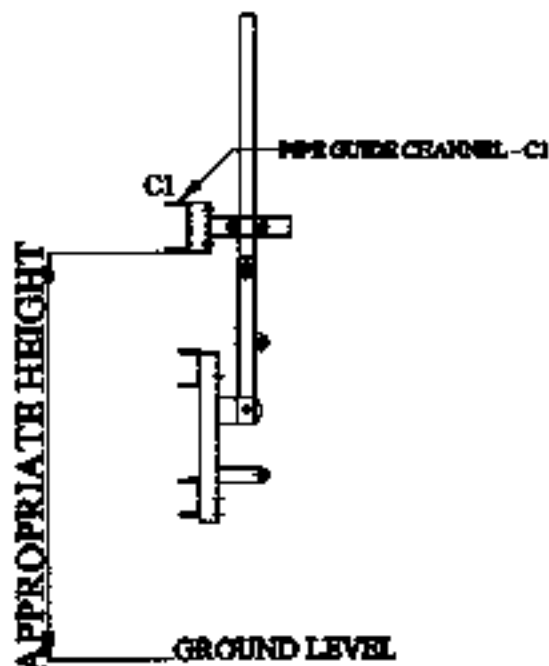
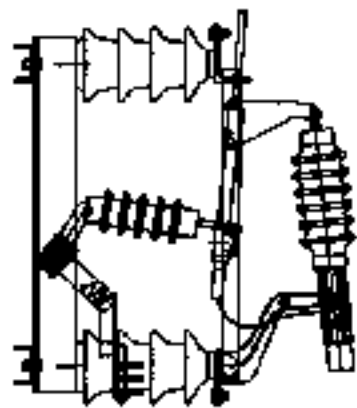
22KV SWITCH



33KV SWITCH



VERTICAL MOUNTING:-



DETAILED INSTRUCTION FOR MOUNTING / INSTALLATION
OF THE LOAD BREAK SWITCH - HORIZONTAL/VERTICAL TYPE

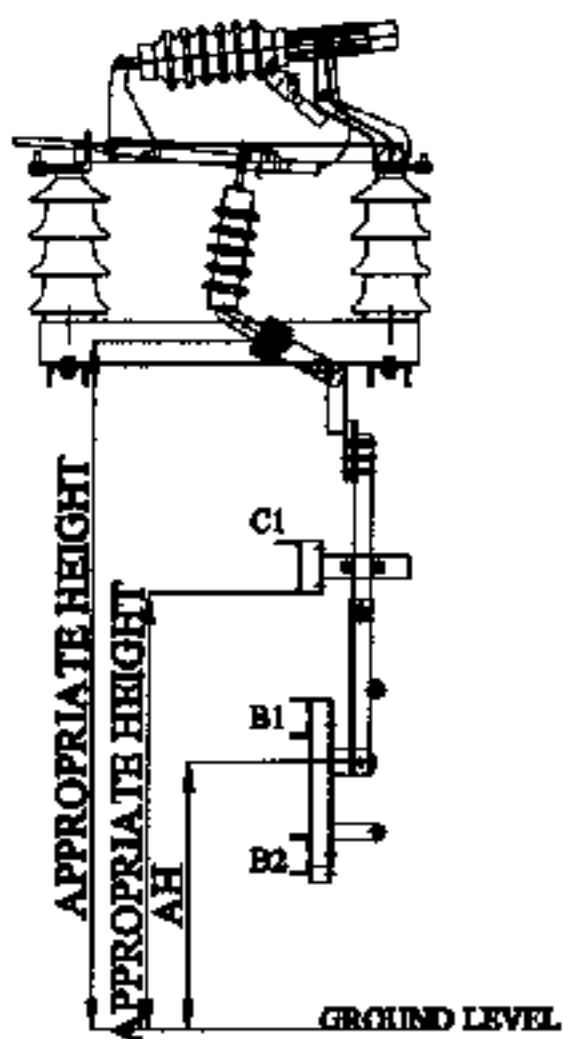
- 8) C1 is the mounting channels for the pipe guide.**
- 9) Drill the holes as 15Ø in C1 and maintain the distance between the holes in C1 as 70mm to an appropriate height, the welded (or) clamped channels C1 is fixed to the pole.**
- 10) In the pipe guide, there are four pairs of holes. Two cylindrical pins are fixed to any two pair of the above holes.**
- 11) In between these two pins only, operating pipe will travel.**
- 12) Insert the pipe guide assembly to the operating pipe.**
- 13) In the pipe guide in addition to two 12Ø holes are present which is used for clamping the pipe guide to the mounting channel (C1).**
- 14) Now, switch is ready with crank and mounting assembly is ready separately.**

DETAILED INSTRUCTION FOR MOUNTING / INSTALLATION OF THE LOAD BREAK SWITCH - HORIZONTAL/VERTICAL TYPE

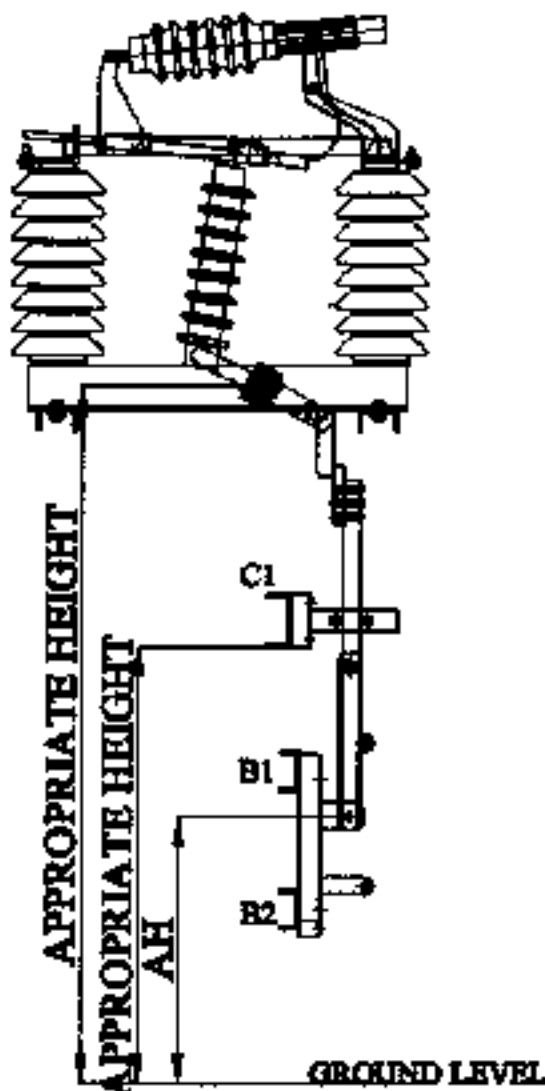
STAGE-3 [Final Assembly]

HORIZONTAL MOUNTING:-

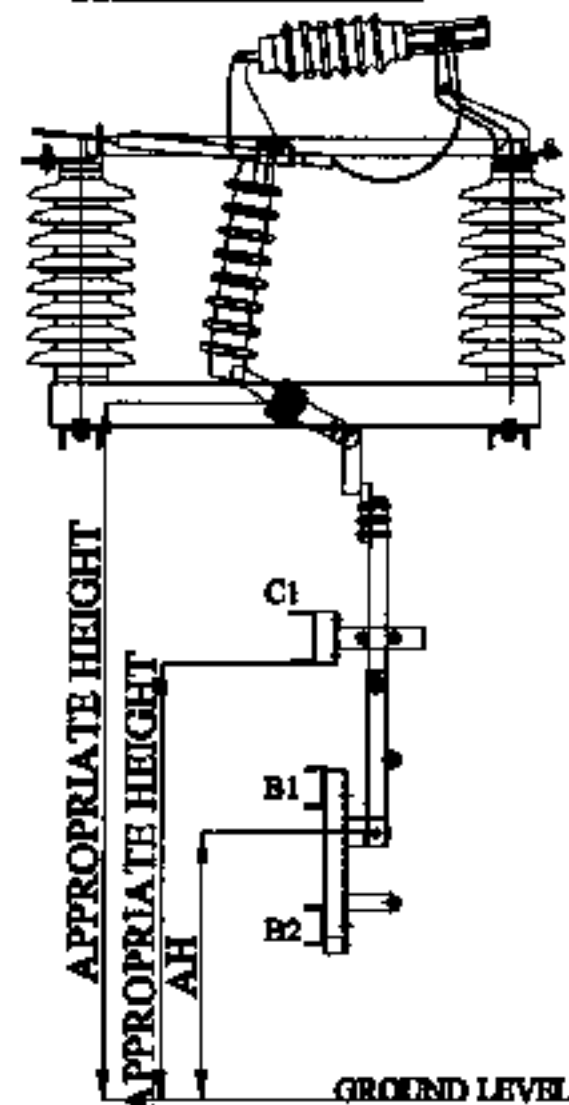
11KV SWITCH



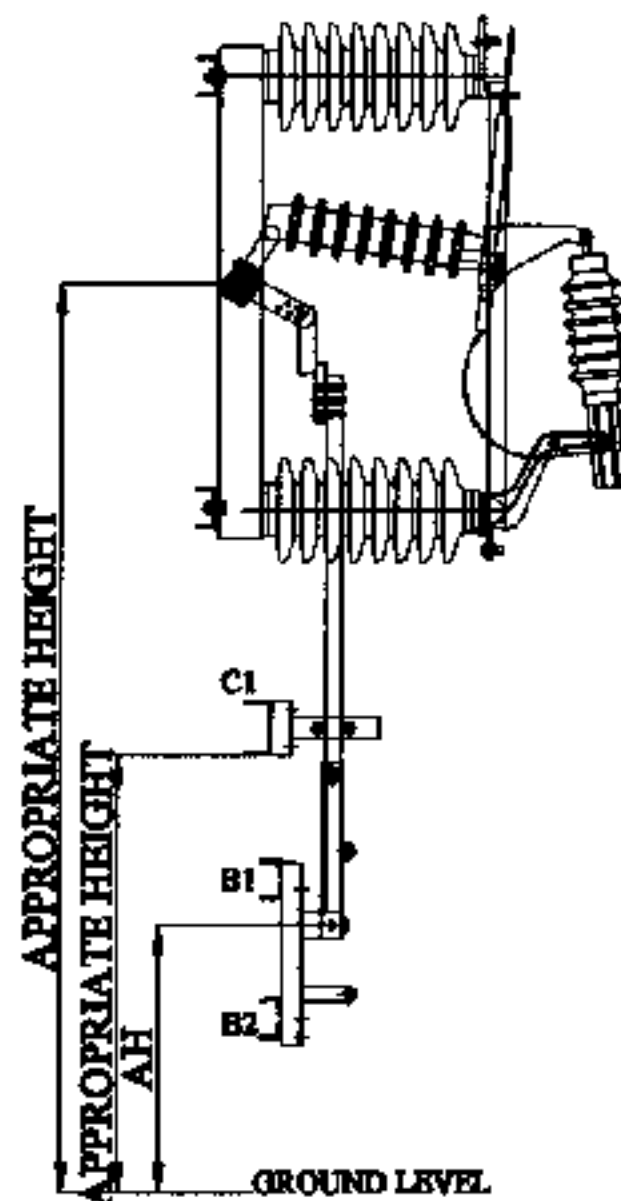
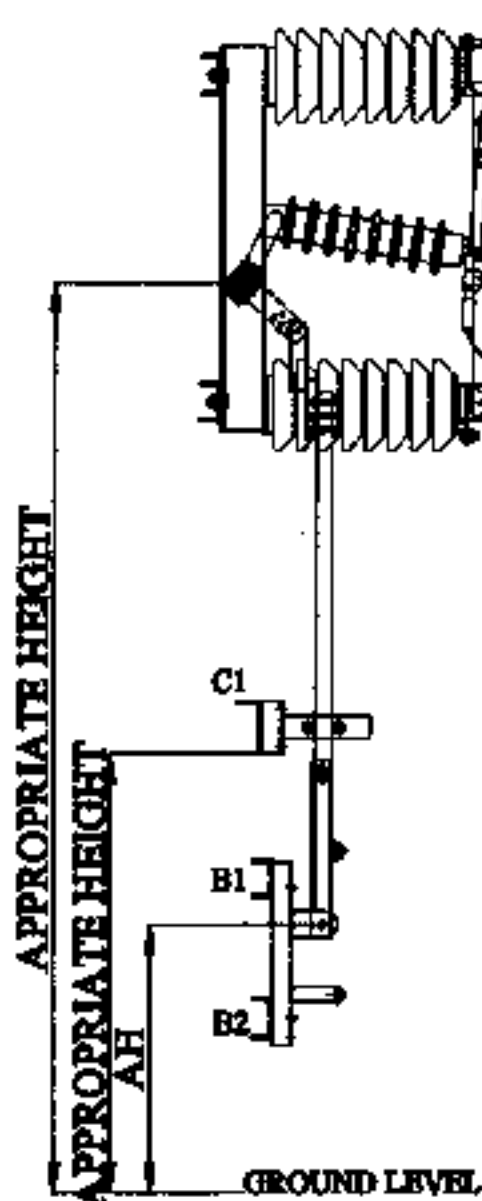
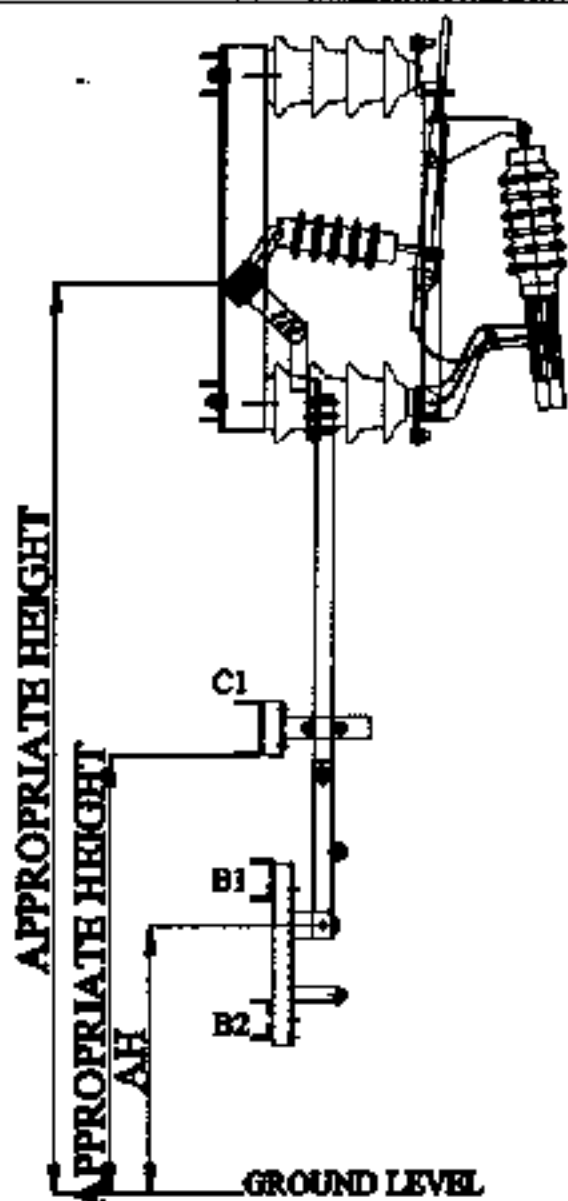
22KV SWITCH



33KV SWITCH



VERTICAL MOUNTING:-



DETAILED INSTRUCTION FOR MOUNTING / INSTALLATION
OF THE LOAD BREAK SWITCH - HORIZONTAL/VERTICAL TYPE

15) The operating pipe (5500mm) is inserted in between the U-clamp present in the pipe clamp assembly.

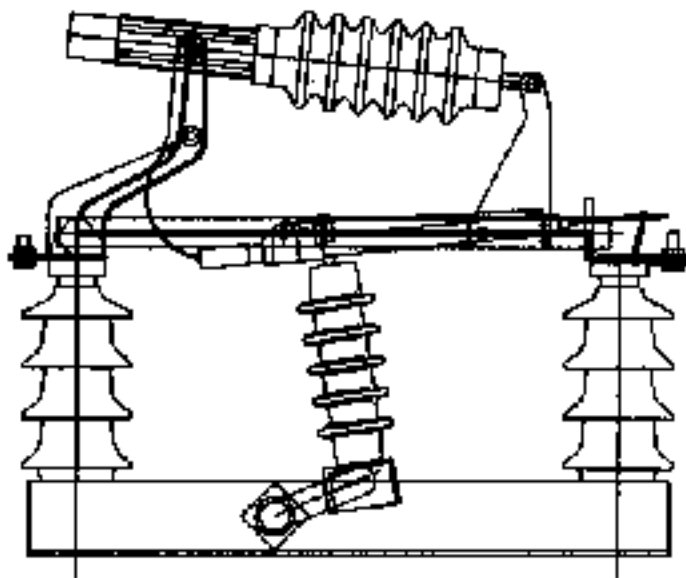
16) The crank is already fitted to the operating shaft of the switch at suitable angle. (Angle can be changed by just loosening the bolts.)

17) These two are connected by matching, the only hole in the pipe clamp with any of the six holes in the crank and tightened.

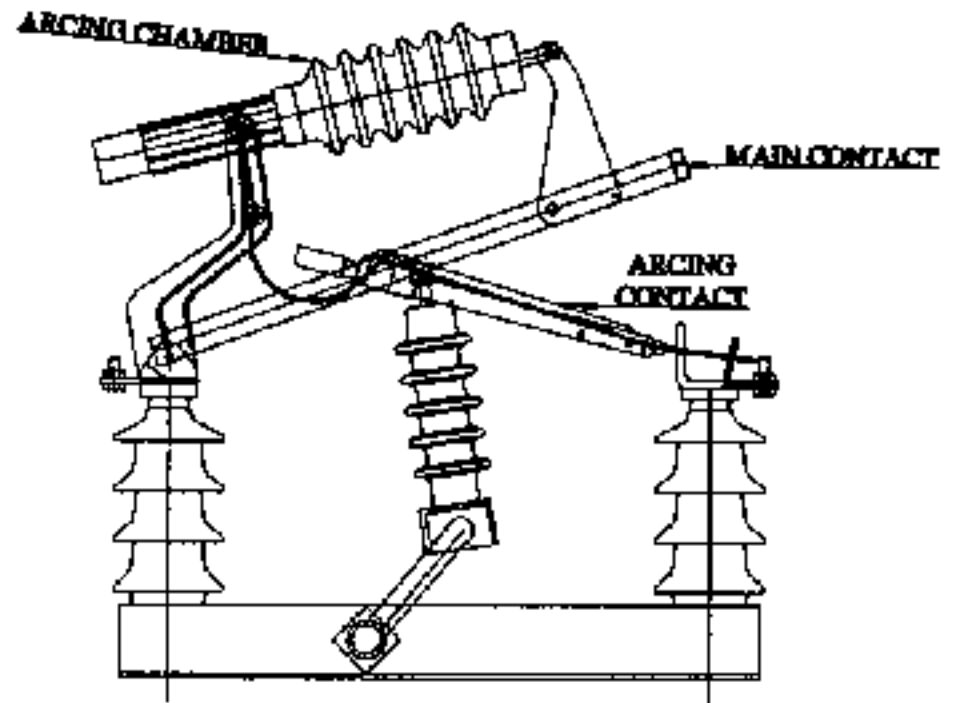
18) Pad lock arrangement is provided in the assembly of handle and handle base.

DETAILED INSTRUCTION FOR MOUNTING / INSTALLATION
OF THE LOAD BREAK SWITCH - HORIZONTAL/VERTICAL TYPE

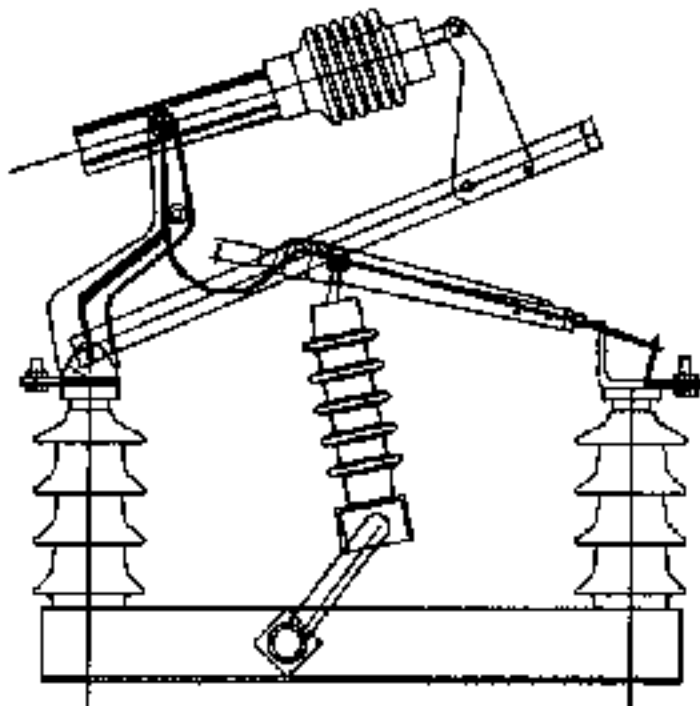
STAGE-4
[Switch Function]



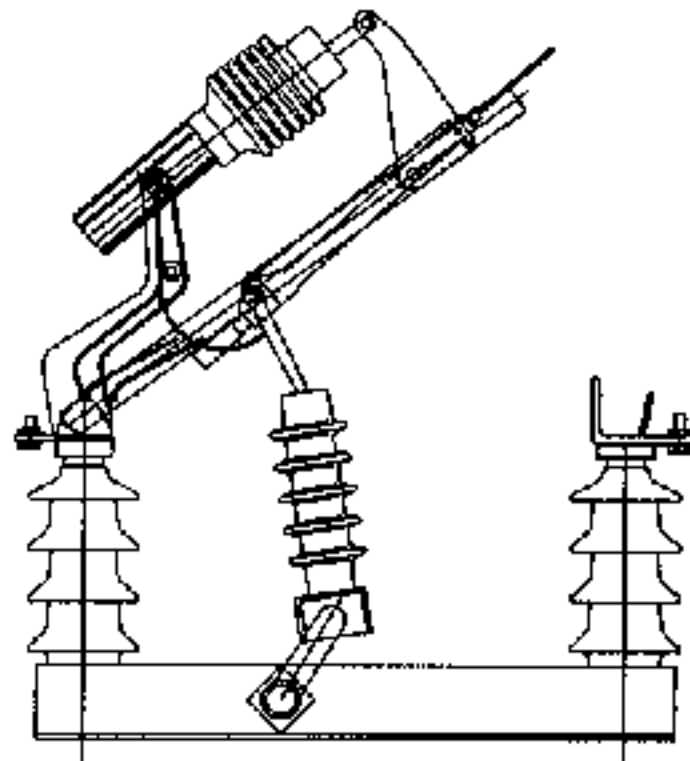
Normal Closed Condition



Main Contact Open Condition



Chamber Compressed Condition



Arcing Contact Open Condition

DETAILED INSTRUCTION FOR MOUNTING / INSTALLATION
OF THE LOAD BREAK SWITCH - HORIZONTAL/VERTICAL TYPE

- 19) Open the switch slowly by using the operating Handle.
[Opening sequence:- Open Main Contact, Click noise from Chamber and Open Arcing Contact]**
- 20) If switch opens successfully, then close the switch Fast.**
- 21) The Opening and Closing Contacts of the switch is satisfactory, the switch is ready to use.**
- 22) The main contact release first followed by a Click Sound from the Chamber [The breaking of current path inside Arcing Chamber, at this point the current path will be through arcing contact]. After the Arcing Contact releases, the switch opened slowly.**
- 23) If all the above setting are found satisfactory, the switch can be commissioned.**
- 24) After the commissioning then given Supply from the Top fixed contacts, and then operate the switch fast.**

**PANICKER SWITCHGEAR PRIVATE LIMITED,
THANDALAM POST,
SRIPERUMBUDUR-602 105,
TAMIL NADU, INDIA.**

Phone: +91-44-27156245/27156175
Fax: +91-44-27156176/24754596
E-mail: info@panickker.com
Web: www.panickker.com