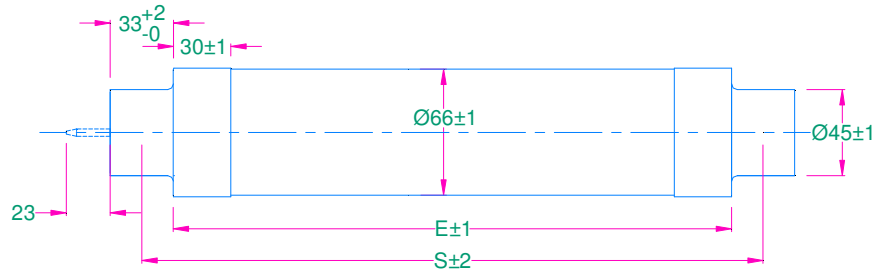


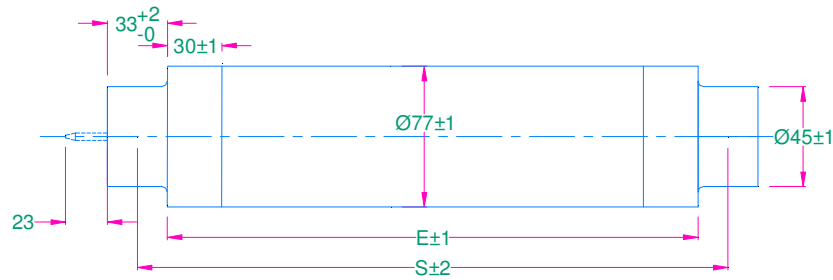
# HIGH TENSION FUSES

DRG.NO. D16 55930 –TYPE FEHVP



ITEM	VOLTAGE IN KV	CURRENT IN AMPS	E±1	S±2	TYPE
1	3.3/3.6	5 TO 80	192	225	FEHVP-6
2	3.3/3.6	5 TO 80	292	325	FEHVP-10
3	6.6/7.2	5 TO 50	292	325	FEHVP-10
4	11/12	5 TO 63	292	325	FEHVP-10
5	15/17.5	5 TO 63	442	475	FEHVP-17.5
6	22/24	5 TO 63	442	475	FEHVP-20
7	30/36	5 TO 63	537	570	FEHVP-30

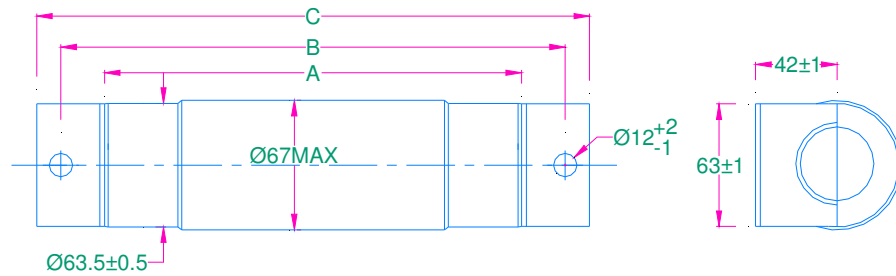
DRG.NO. D16 055931- TYPE FEHVSP



ITEM	VOLTAGE IN KV	CURRENT IN AMPS	E±1	S±1	TYPE
1A	3.3 TO 6	100 TO 160	192	225	FEHVSP-1A
1B	3.3 TO 6	100-250	292	325	FEHVSP-1B
2A	6.6 TO 7.2	70-100	292	325	FEHVSP-2A
2B	6.6 TO 7.2	125-400	442	475	FEHVSP-2B
3A	10 TO 12	32-200	442	475	FEHVSP-3A
3B	10 TO 12	250-315	537	570	FEHVSP-3B
4A	20 TO 24	63-100	442	475	FEHVSP-4A
4B	20 TO 24	100-160	537	570	FEHVSP-4B
5A	30 TO 36	63-100	537	570	FEHVSP-5A

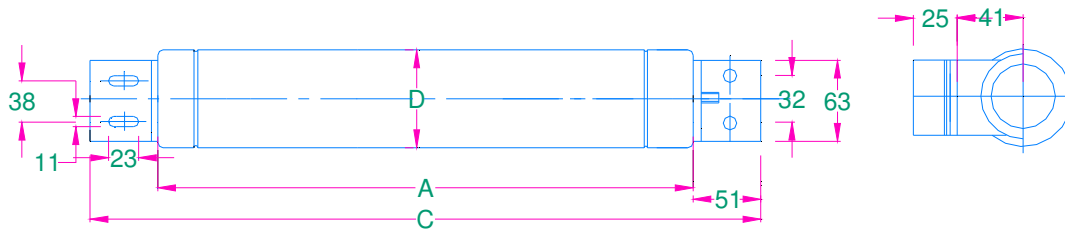
## HIGH TENSION FUSES

DRG.NO. E9P0015A –TYPE FEDPK-CAPACITOR PROTECTION



ITEM	VOLTAGE IN KV	CURRENT IN AMPS	A $\pm 2$	B $\pm 2$	C $\pm 2$	D	E	TYPE
1	UP TO 3.3KV	UP TO 100A	190	235	260	12	10	FEDPK/1
2	UP TO 11KV	UP TO 100A	254	308	354	23	12	FEDPK/2
3	UP TO 15.5KV	UP TO 100A	360	418	460	23	12	FEDPK/3

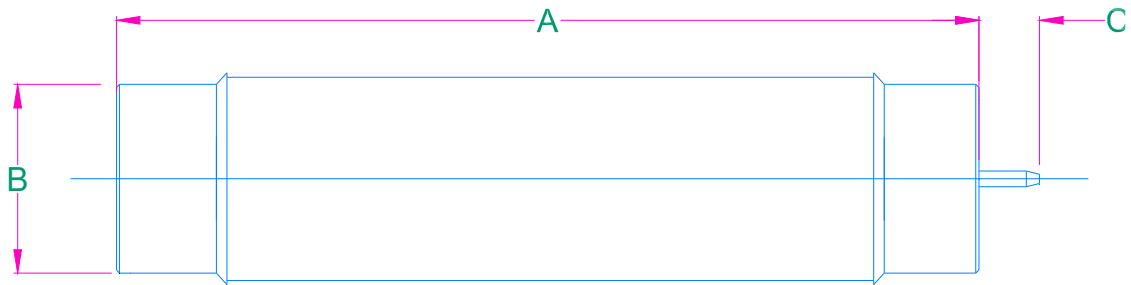
DRG .NO. E9P0024A –TYPE FEDPS –USE IN AIR TO BS 2692



ITEM	VOLTAGE IN KV	CURRENT IN AMPS	A $\pm 2$	B $\pm 2$	C $\pm 2$	D $\pm 1$	TYPE
1	3.3/3.6	50 TO 100	359	419	460	63.5	FEDPS
2	3.3/3.6	25 TO 225	359	419	460	79	FEDPSS
3	6.6 / 7.2	5 TO 80	359	419	460	63.5	FEDPS
4	6.6 / 7.2	45 TO 160	359	419	460	79	FEDPSS
5	11/ 12	5 TO 80	359	419	460	63.5	FEDPS
6	11/ 12	100 TO 125	359	419	460	79	FEDPSS
7	15.5	5 TO 50	359	419	460	79	FEDPSS
8	22/24	5 TO 50	565	625	666	63.5	FEDPSL
9	22/24	5 TO 50	565	625	666	79	FEDPSSL

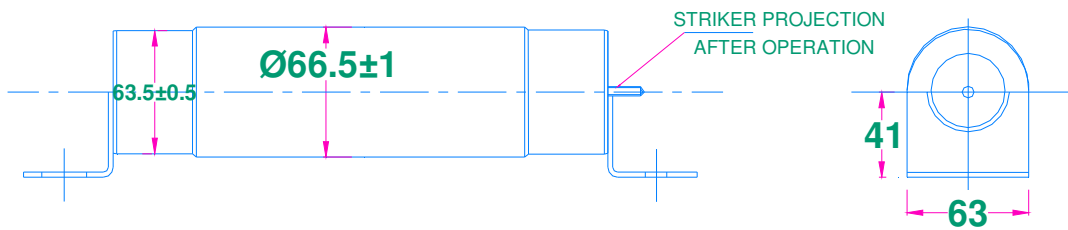
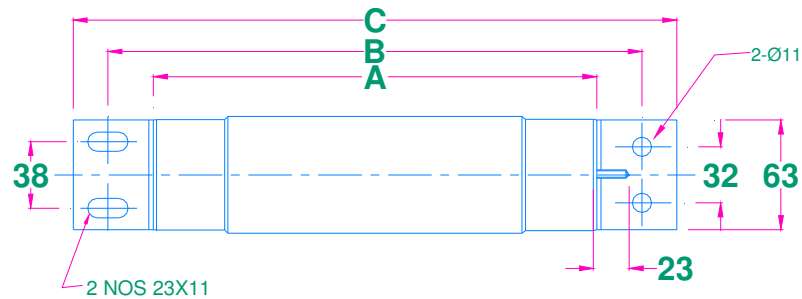
## HIGH TENSION FUSES

DRG .NO. E9P0026 –TYPE FEHVO/FEHVS0 –OIL FUSE



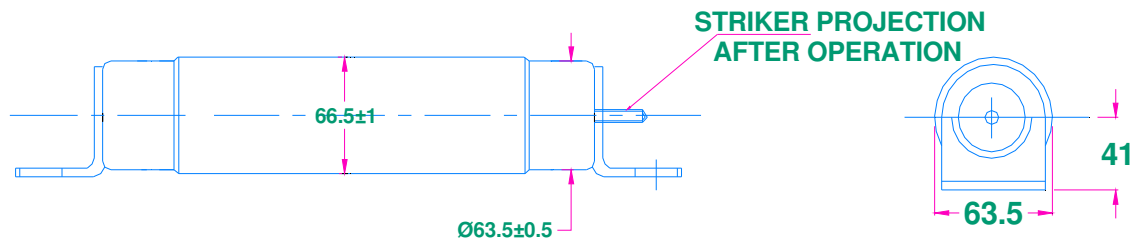
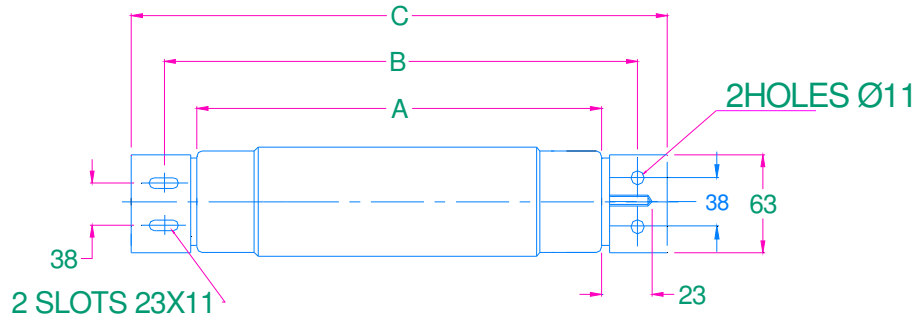
ITEM	VOLTAGE IN KV	CURRENT IN AMPS	A±2	B±1	C	TYPE
1	3.3/3.6	5 TO 160	254	64	23	FEHVO/1
2	6.6 / 7.2	5 TO 100	254	64	23	FEHVO/1
3	11/ 12	50 TO 50	254	64	23	FEHVO/1
4	11/ 12	10 TO 120	359	64	23	FEHVO/2
5	22/24	5 TO 35	565	64	23	FEHVO-20
6	22/24	5 TO 80	565	79	23	FEHVS0-20
7	33/36	5 TO 63	914	64	23	FEHVO-30

DRG .NO. E9P0221 –TYPE FEHVOT1 FUSE



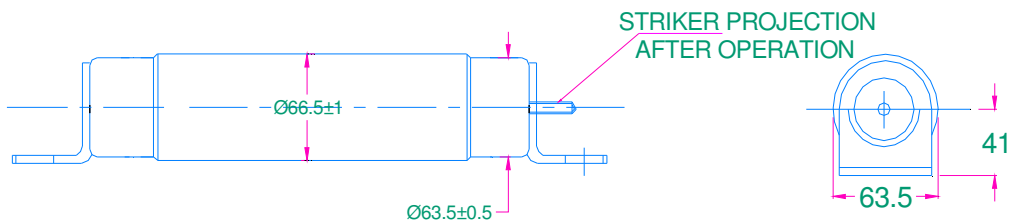
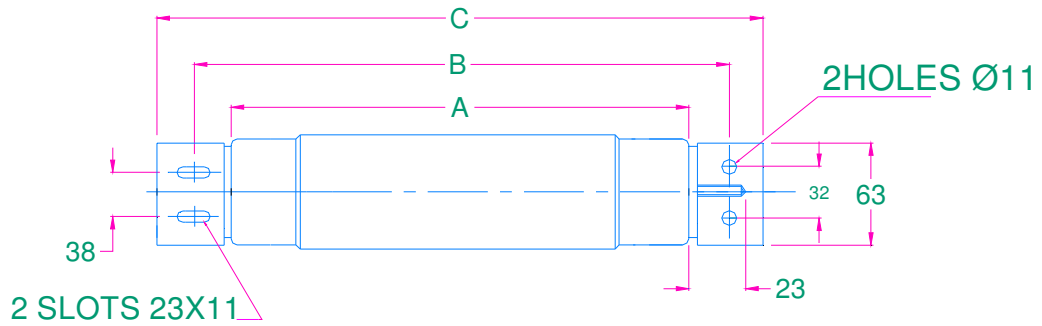
ITEM	VOLTAGE IN KV	CURRENT IN AMPS	A±2	B±2	C±2	TYPE
1	3.3/3.6	5 TO 160	254	306	346	FEHVOT1
2	6.6 / 7.2	5 TO 80	254	306	346	FEHVOT1

DRG .NO. E9P0222 –TYPE FEHVOT2 FUSE



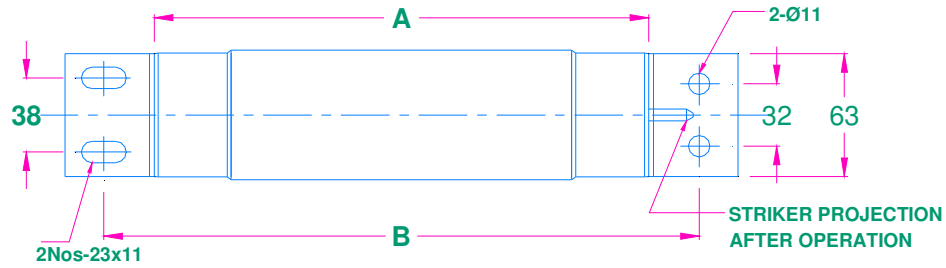
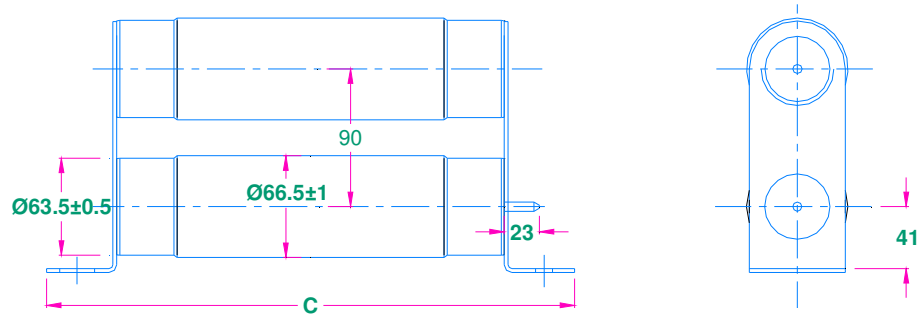
ITEM	VOLTAGE IN KV	CURRENT IN AMPS	A±2	B±2	C±2	TYPE
1	3.3-12KV	5 TO 100	359	419	459	FEHVOT2

DRG .NO. E9P0225 –TYPE FEHVOT3 FUSE



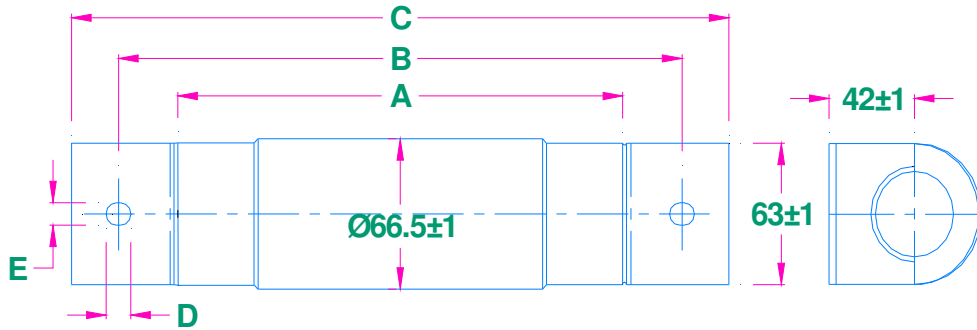
ITEM	VOLTAGE IN KV	CURRENT IN AMPS	A±2	B±2	C±2	TYPE
1	3.3-3.6KV	5 TO 125	254	325	355	FEHVOT3

DRG .NO. E9P0223 –TYPE FEHVOT3X2 FUSE



ITEM	VOLTAGE IN KV	CURRENT IN AMPS	A $\pm$ 2	B $\pm$ 2	C $\pm$ 2	TYPE
1	3.3-3.6KV	160 TO 300	254	325	355	FEHVOT3X2

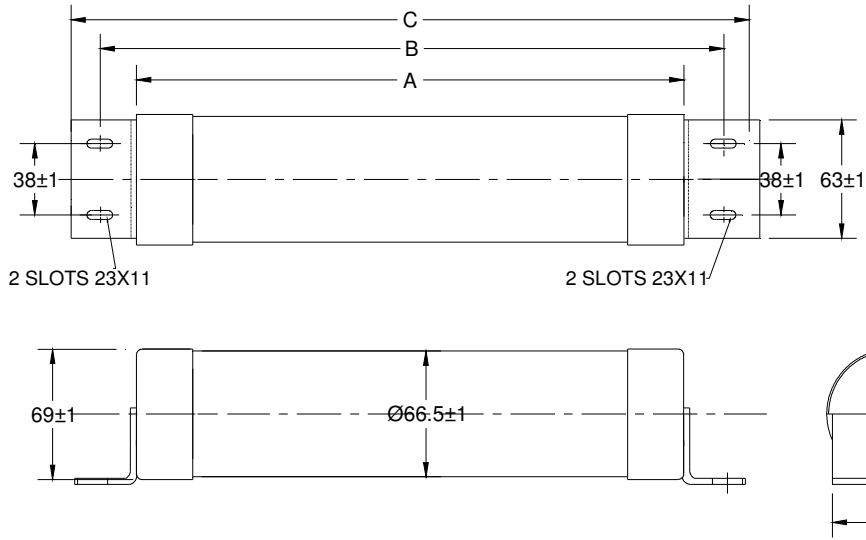
DRG .NO. E9P0224 –TYPE FEHVOT5 FUSE



ITEM	VOLTAGE IN KV	CURRENT IN AMPS	A $\pm$ 2	B $\pm$ 2	C $\pm$ 2	TYPE
1	3.3-3.6KV	5 TO 80	190	235	260	FEHVOT5

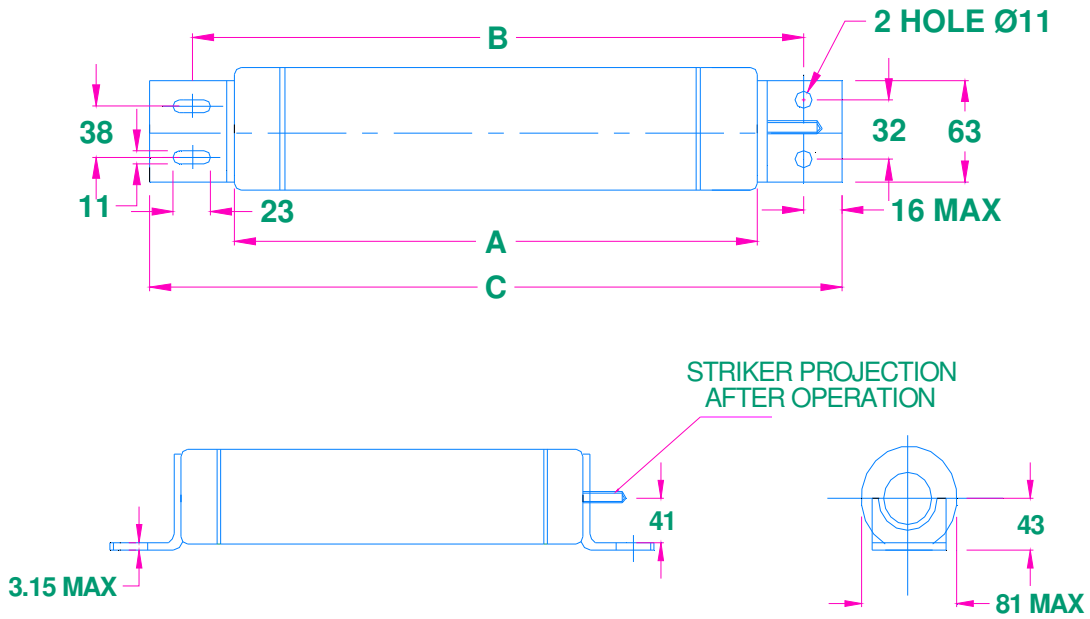
# HIGH TENSION FUSES

DRG .NO. D16 055703 –TYPE FEHVOT6 FUSE -MOTOR PROTECTION



ITEM	VOLTAGE IN KV	CURRENT IN AMPS	A±2	B±2	C±2	TYPE
1	3.3-3.6KV	Up to125A	292	332	362	FEHVOT6

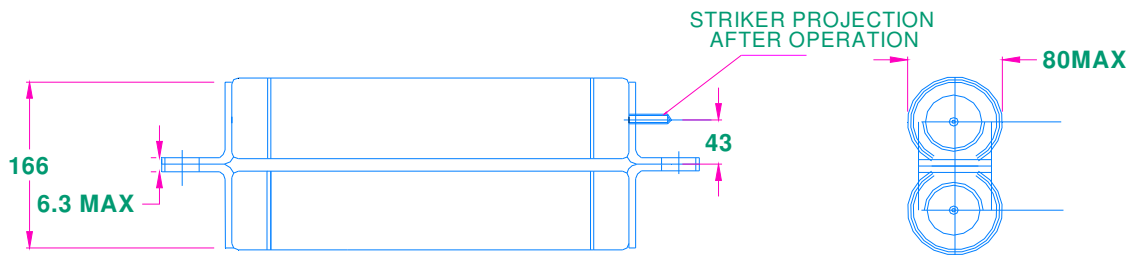
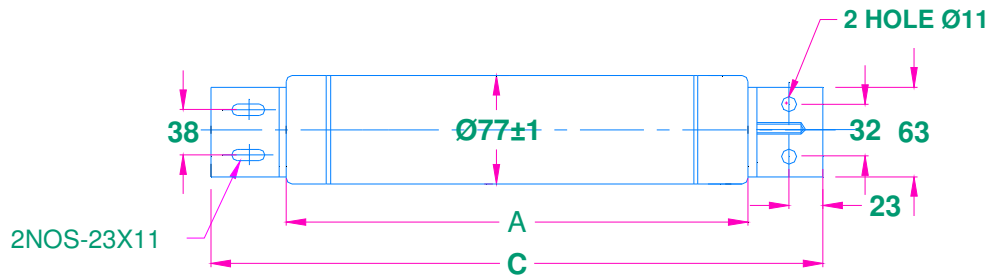
DRG .NO. E9P0246 –TYPE FEHVST2 FUSE



ITEM	VOLTAGE IN KV	CURRENT IN AMPS	A±2	B±2	C±2	TYPE
1	3.3-3.6KV	100 TO 200	254	305	340	FEHVST2

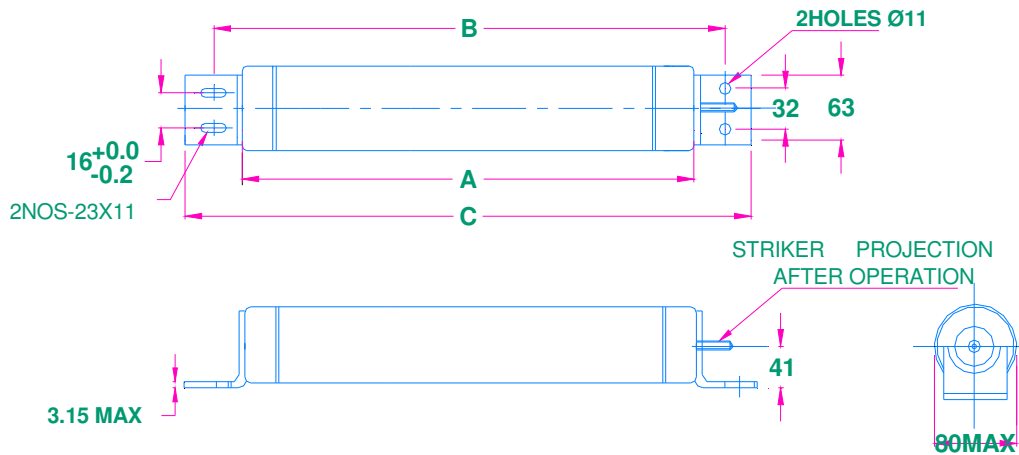
# HIGH TENSION FUSES

DRG .NO. E9P0247 –TYPE FEHVST2X2 FUSE



ITEM	VOLTAGE IN KV	CURRENT IN AMPS	A±2	B±2	C±2	TYPE
1	3.3-3.6KV	5 TO 80	254	305	340	FEHVST2X2

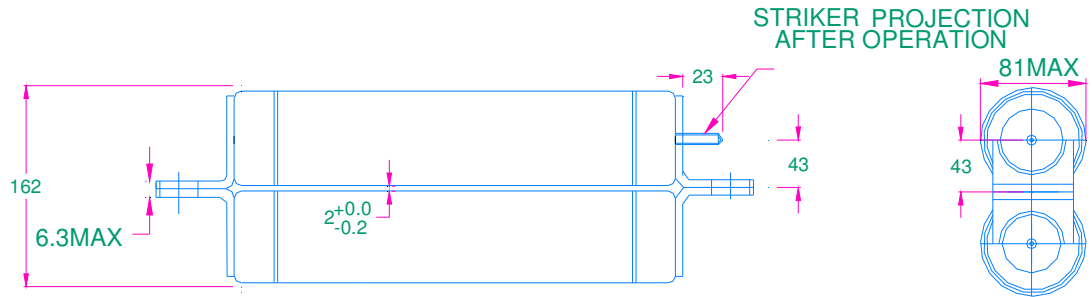
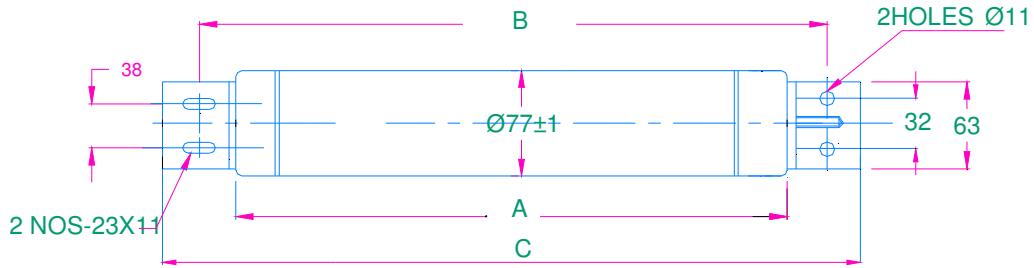
DRG .NO. E9P0248 –TYPE FEHVSTL2 FUSE



ITEM	VOLTAGE IN KV	CURRENT IN AMPS	A±2	B±2	C±2	TYPE
1	6.6-7.2KV	50 TO 300	502	553	588	FEHVSLT2

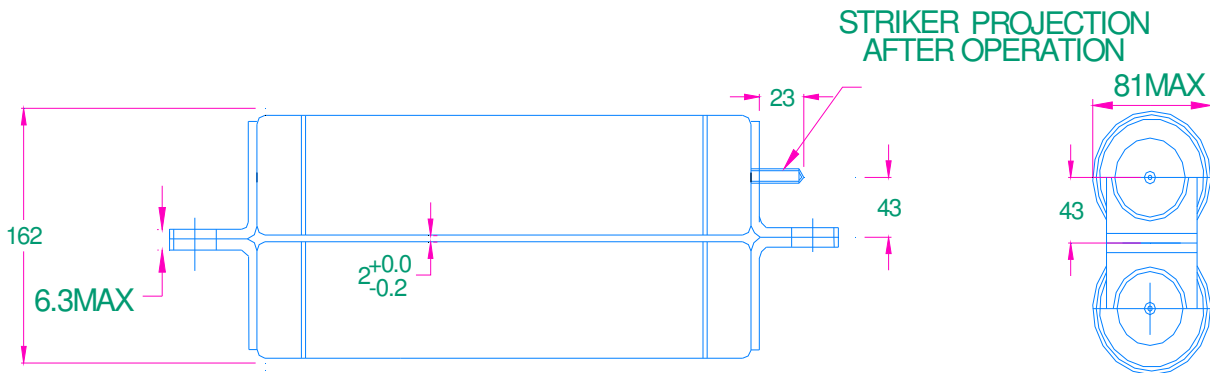
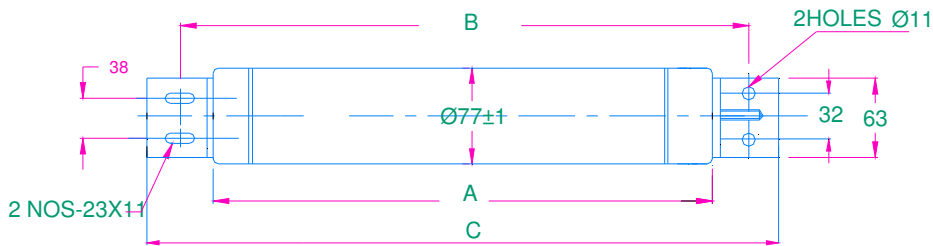
# HIGH TENSION FUSES

DRG .NO. E9P0249 –TYPE FEHVSLT2X2 FUSE



ITEM	VOLTAGE IN KV	CURRENT IN AMPS	A±2	B±2	C±2	TYPE
1	6.6/7.2KV	350 TO 500	502	553	588	FEHVSLT2X2

DRG .NO. E9P0250 –TYPE FEHVST3X2 FUSE

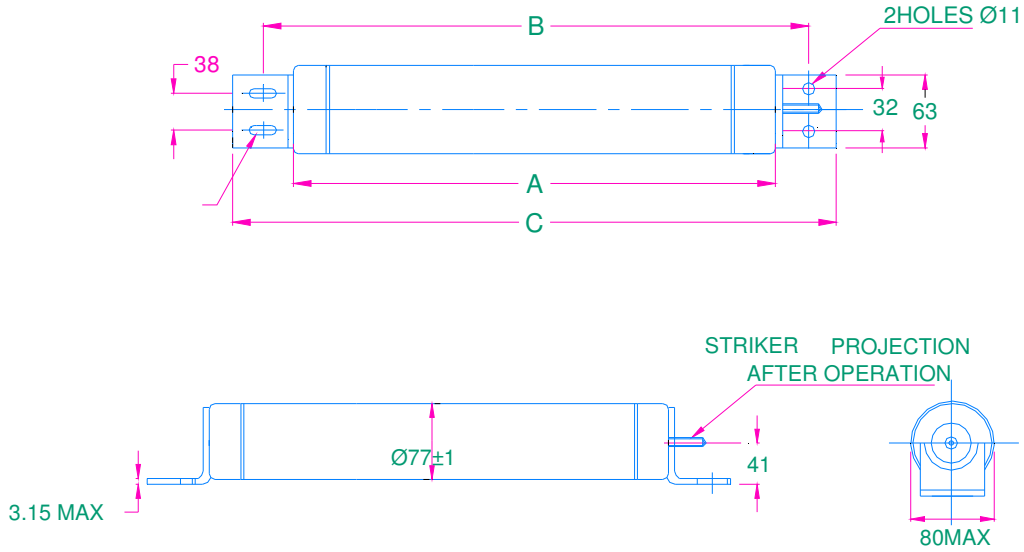


ITEM	VOLTAGE IN KV	CURRENT IN AMPS	A±2	B±2	C±2	TYPE
1	6.6-7.2KV	160 TO 300	359	401	443	FEHVSLT3X2



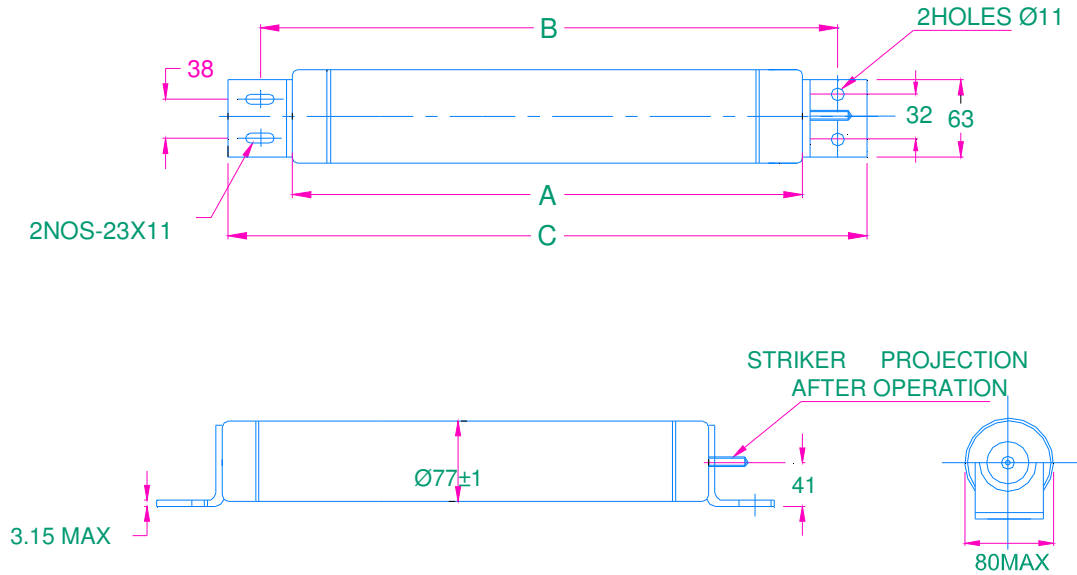
# HIGH TENSION FUSES

DRG .NO. E9P0251 –TYPE FEHVST4 FUSE



ITEM	VOLTAGE IN KV	CURRENT IN AMPS	A±2	B±2	C±2	TYPE
1	6.6-7.2KV	160 TO 300	402	445	488	FEHVST4

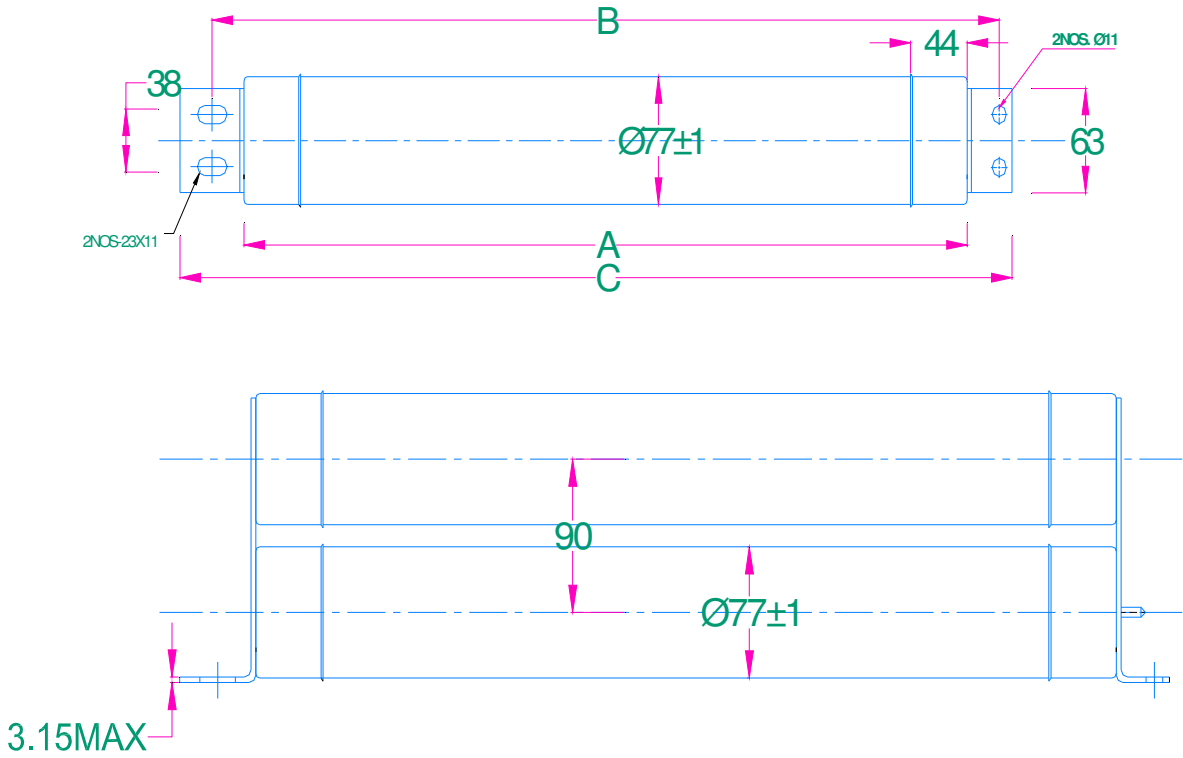
DRG .NO D16 052507 –TYPE FEHVSLT3 FUSE



ITEM	VOLTAGE IN KV	CURRENT IN AMPS	A±2	B±2	C±2	TYPE
1	33KV	UP TO50	565	615	650	FEHVSLT3

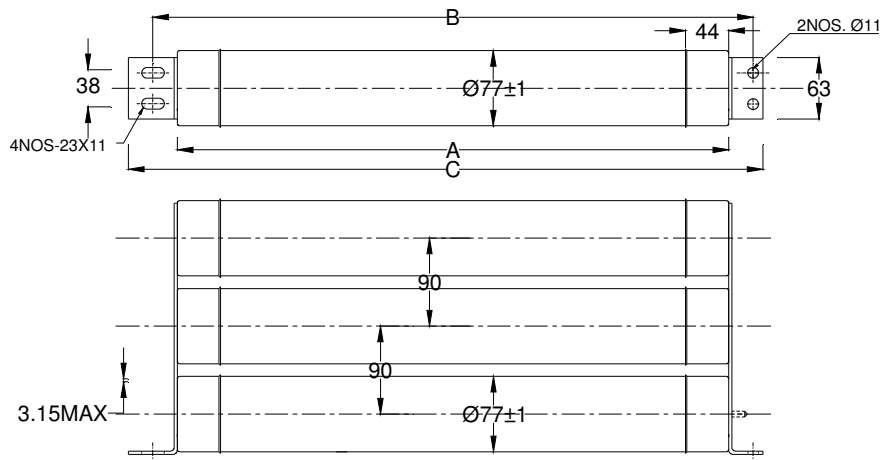
# HIGH TENSION FUSES

DRG .NO. D16055530 –TYPE FEHVSLT3X2 FUSE



ITEM	VOLTAGE IN KV	CURRENT IN AMPS	A±2	B±2	C±2	TYPE
1	33KV	UP TO 100	565	615	650	FEHVSLT3X2

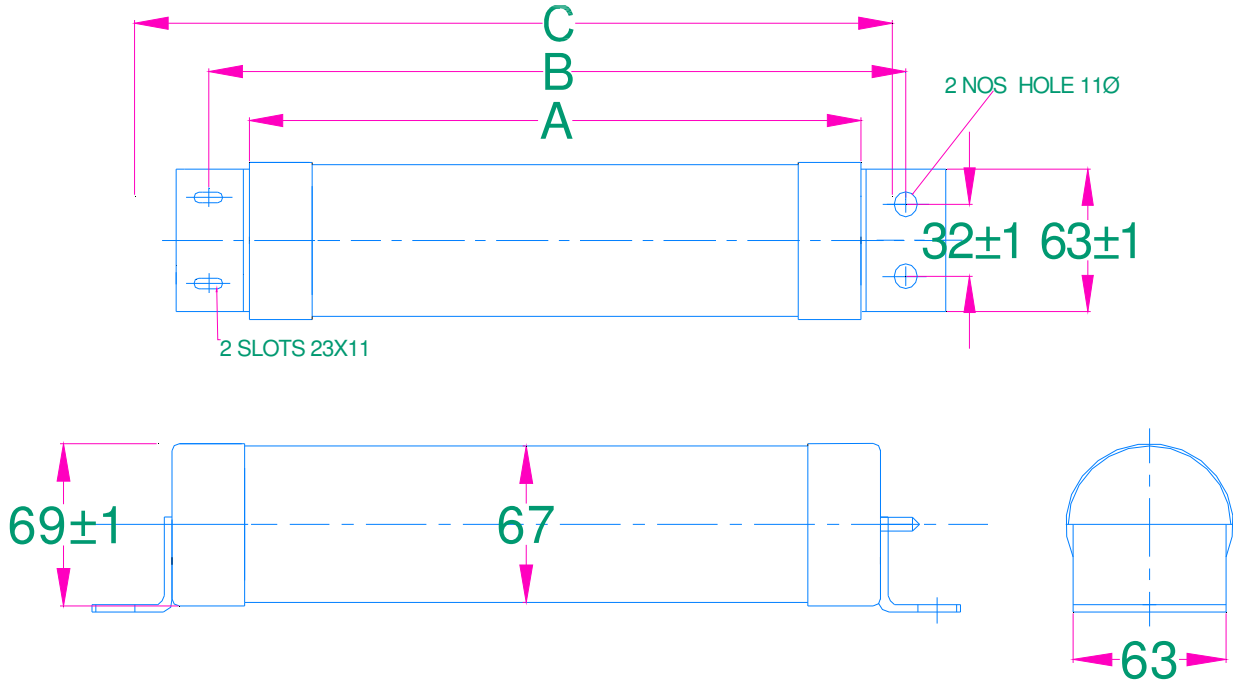
DRG .NOD16 052507 –TYPE FEHVSLT3X3 FUSE



ITEM	VOLTAGE IN KV	CURRENT IN AMPS	A±2	B±2	C±2	TYPE
1	33KV	UP TO 150	565	615	650	FEHVSLT3X3

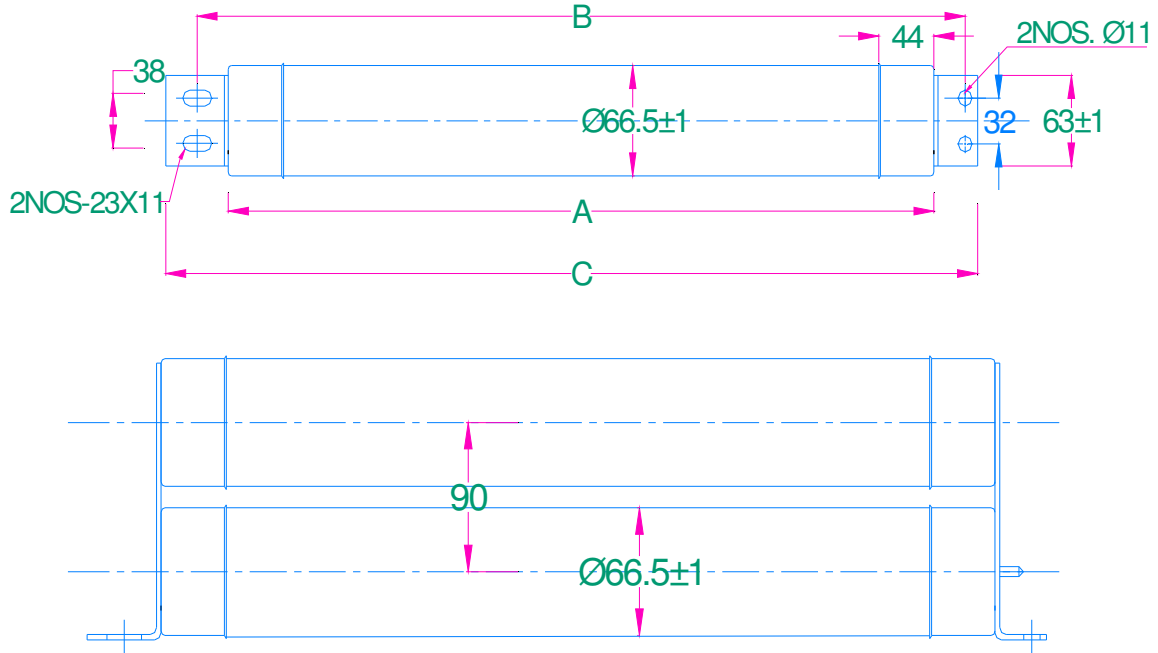
# HIGH TENSION FUSES

DRG .NO D16 055977 –TYPE FEHVPT FUSE



ITEM	VOLTAGE IN KV	CURRENT IN AMPS	A±1	B±2	C±2	TYPE
1	3.3-12KV	5-80	292	325	362	FEHVPT 10
2	22-24 KV	5-80	442	475	512	FEHVPT 20
3	30-36KV	5-80	537	570	607	FEHVPT 30

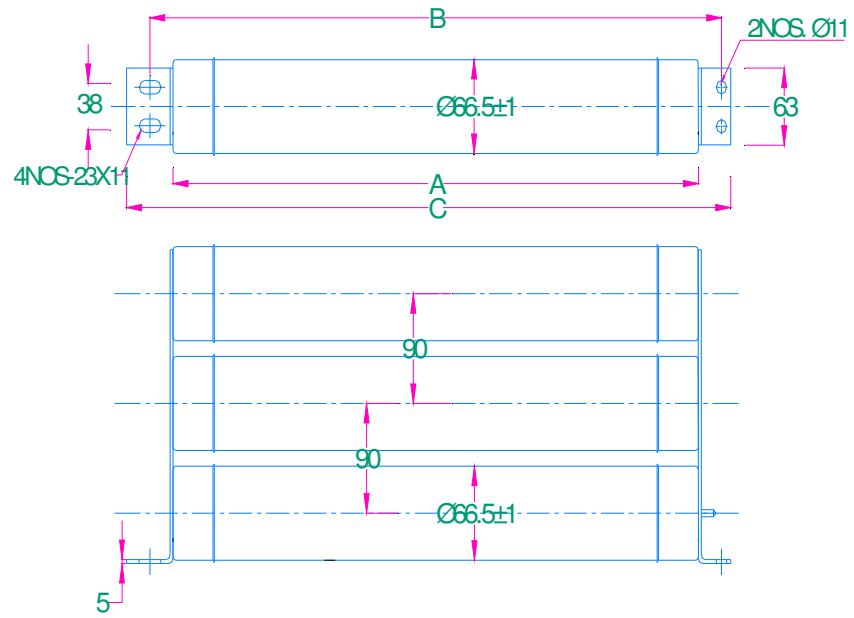
DRG .NO D16 055978 –TYPE FEHVPTX2 FUSE



ITEM	VOLTAGE IN KV	CURRENT IN AMPS	A $\pm$ 1	B $\pm$ 2	C $\pm$ 2	TYPE
1	3.3-12KV	5-80	292	325	362	FEHVPT10X2
2	22-24 KV	5-80	442	475	512	FEHVPT 20X2
3	30-36KV	5-80	537	570	607	FEHVPT 30X2

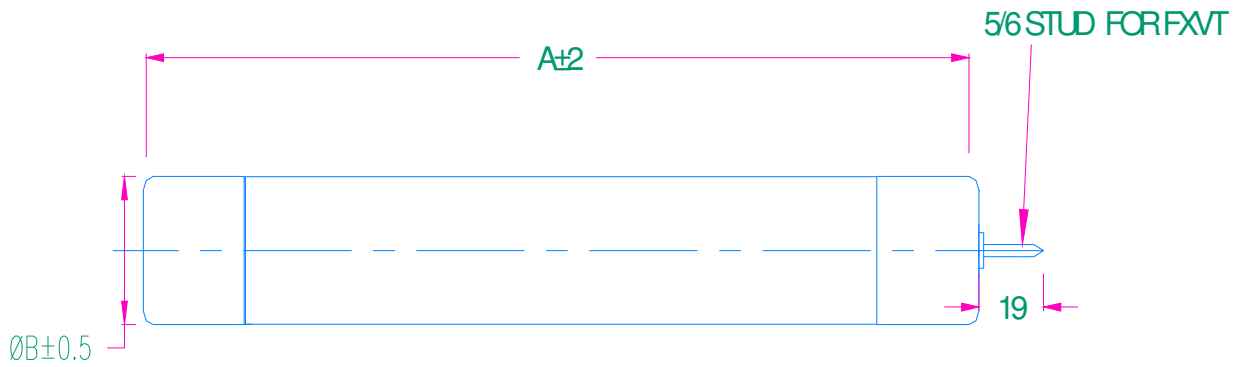
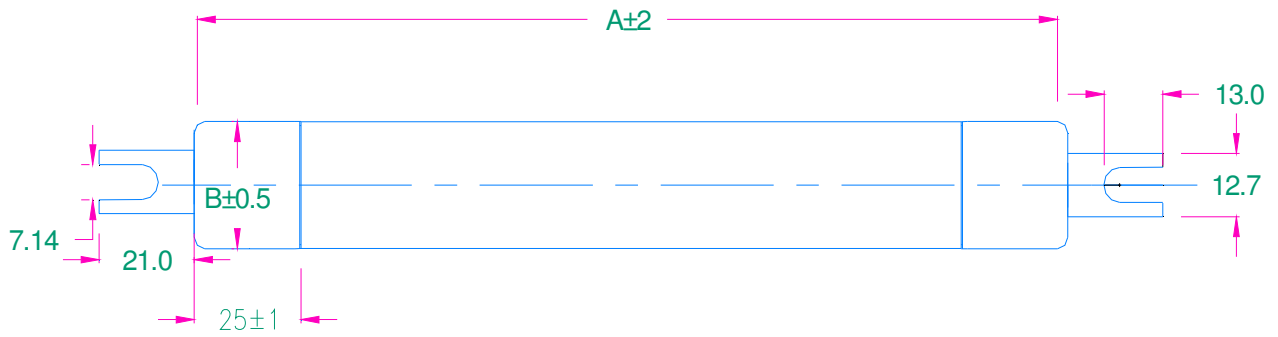
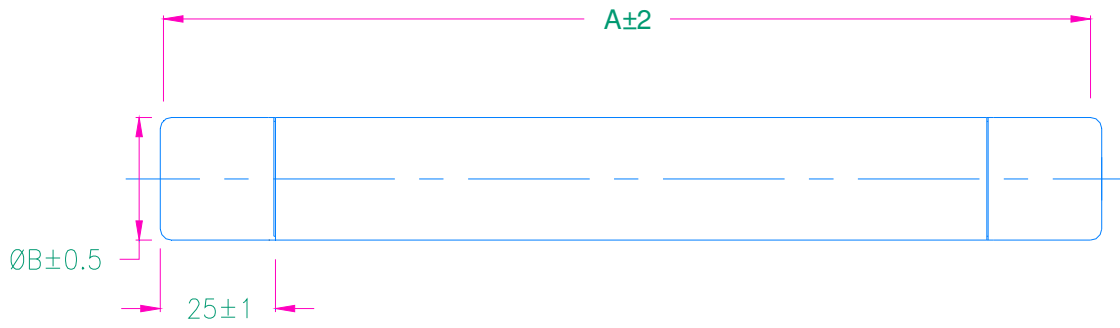
## HIGH TENSION FUSES

DRG .NO D16 055979 –TYPE FEHVPTX3 FUSE



ITEM	VOLTAGE IN KV	CURRENT IN AMPS	A±1	B±2	C±2	TYPE
1	3.3-12KV	5-80	292	325	362	FEHVPT 10X3
2	22-24 KV	5-80	442	475	512	FEHVPT 20X3
3	30-36KV	5-80	537	570	607	FEHVPT 30X3

### VT PROTECTION FUSES



ITEM	VOLTAGE IN KV	CURRENT IN AMPS	A	B	TYPE
1	3.3/3.66	UP TO 3.15A	145	22	FEIF/FEIFO
2	3.3/3.66/7.2	UP TO 3.15A	195	25.4	FEVT/FEVTO
3	3.3/12	UP TO 3.15A	195	25.4	FEVT/FEVTO
4	11/12	UP TO 3.15A	254	25.4	FEVTL/FEVTLO
5	15.5	UP TO 3.15A	359	25.4	FEVT/FEVTO
6	22/24	UP TO 3.15A	380	25.4	FEVT/FEVTO
7	33/36	UP TO 3.15A	500	25.4	FEVT/FEVTO

FXVT for stud type Fuse . Fifth Letter T for standard tag type(FEVTT)