

## LOAD BREAK DROP OUT FUSE / CUT OUT FUSE

### APPLICATION :

Fuse cut outs are used to provide protection to lines in distribution systems and various equipments on those lines like transformers and capacitor banks.

Panickker Switchgear cut outs provide reliable protection from low overloads and very high faults.

### CONSTRUCTION :

Panickker Switchgear cut outs are fitted with high conducting suitably plated current carrying parts. Terminals are made of forged Aluminum/Bronze held by stainless steel fasteners.

### LOAD BREAK CUT OUT :

Panickker Switchgear load break cut out comes with arc chute mounted on the top contact channel with a corresponding spring loaded arcing blade provided on the fuse top bush. The load break cut out provides short circuit and over load protection to utility lines with the added feature of load breaking function. The load break cut out can be supplied with solid links in place of fuse tube to enable the user to use it as an on load disconnecter.

### OPERATION :

The in built load break device enables the linesman to interrupt load currents by means of a simple hook stick. To break the current, the linesman inserts the hook stick into the pulling ring and pulls out the fuse/solid link from the holder rapidly. During this operation, the spring loaded stainless steel arcing blade slides out of the arc chute when it reaches a pre determined distance from the contact within the arc chute. The arcing blade while sliding out of fixed contact in the arc chute slips out with a snap action thereby elongating the arc developed. The arc is extinguished in the arc chute. The load breaking operation is independent of the operating speed of the linesman. In the case of fuse, the fuse remains undamaged. The fuse holder / solid link hangs in an approximately vertical position for a visible break.



**PANICKKER  
SWITCHGEAR**

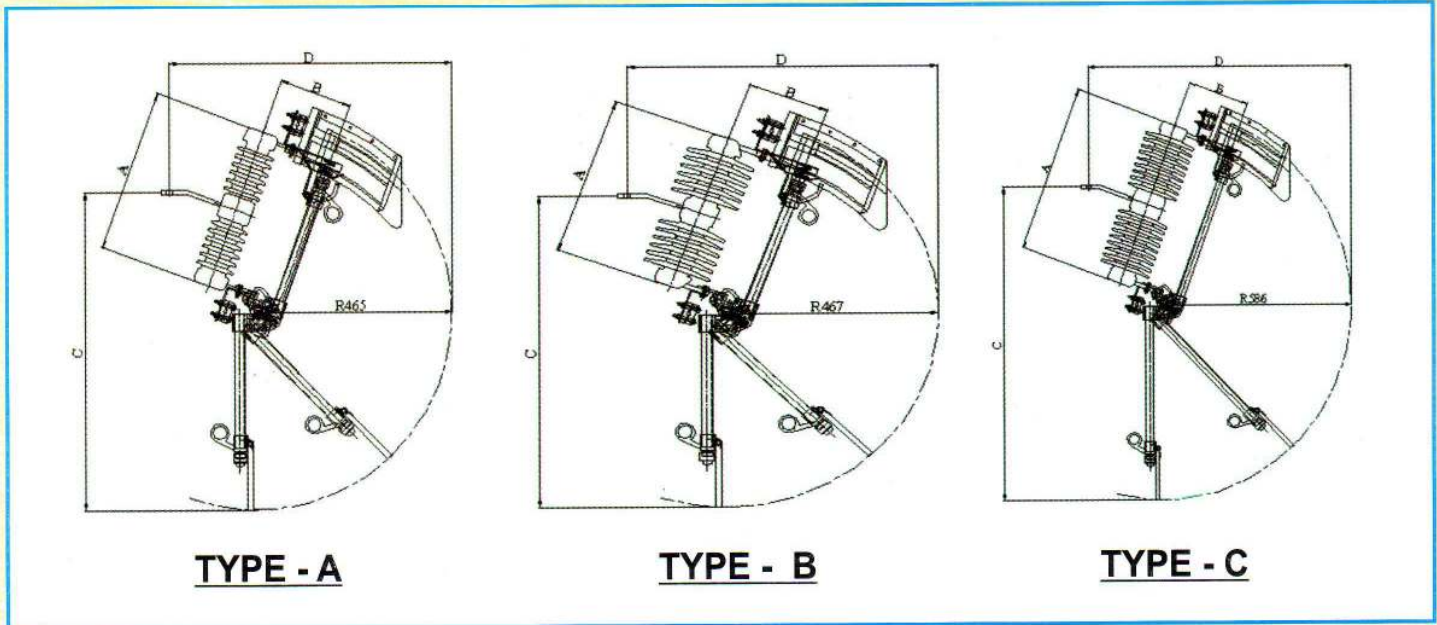
### ADDRESS:-

NH4, THANDALAM POST,  
SRIPERUMBUDUR - 602105,  
TAMIL NADU.

Email: [sales@panickker.com](mailto:sales@panickker.com)

URL: <https://www.panickker.com>

# ON LOAD DROP-OUT / CUT-OUT FUSE, TYPE-FSL-UPTO 38KV



## TECHNICAL DETAILS

S.No.	DESIGN	DIMENSIONS IN MM				RATED VOLTAGE IN KV	RATED CURRENT IN AMPS	BIL (KV)	CREEPAGE DISTANCE	INTERRUPTING CURRENT	
		A	B	C	D					Asym(A)	Sym(A)
1	TYPE-A	385±5	175±5	750±5	675±5	UPTO 12	100A	75	320	4000	2800
2	TYPE-B	380±5	180±5	755±5	680±5	15.5 TO 24	100A	95/125	625	8000	5000
3	TYPE-C	505±5	190±5	945±5	815±5	30 TO 38KV	100A	150	900	8000	5000

### CAUTION :

The equipment covered in this catalogue section should be installed, used, and serviced only by competent personnel familiar with and following good work and safety practices. This equipment is for use by such personnel and is not intended as a substitute for adequate training and experience in safe procedures for this type of equipment.

This catalog information and any related instruction sheets do not cover all details or situations in equipment use nor do they provide for every possible contingency to be encountered in relation to installation, operation or maintenance. Should additional information and details be desired, or if specific situations arise that are not covered adequately for the user's purpose the specifics should be referred to Panickker Switchgear.

As continuous developments are made to all Panickker products, equipment supplied may differ in detail from that described above.

## PANICKKER SWITCHGEAR LIMITED

Regd. Office & Works :Thandalam PO, NH 4, Sriperumbudur - 602105.

Ph: 0091-44-27156175, 27156245. Fax: 091-44-27156176.

E-Mail : info@panickker.com, Website : www.panickker.com