

Outdoor Load Break Switches Switch Fuses

Three pole and single pole

Nominal Voltage 12kV, 24kV and 36kV

Nominal Current 400A/630A



The Outdoor on load isolator or Load Break Switches contained in the list are meant for the switching feeder lines and ring mains or transformer feeders (in connection with HT HRC Fuses with tripping arrangement or with indication) for short circuit protection .

They are produced in 6 modules :

1. For Vertical installation.
2. For Horizontal installation on lattice towers, concrete or on wooden towers.
3. Without fuses.
4. In connection with HT HRC fuses with tripping arrangement & with making capacity. Also available with remote operation.
5. In connection with HT HRC fuses with tripping indication only.
6. In connection with Drop Out fuses.

The Load Break Switches comply with latest IEC 60265, VDE 0670 part 3.

The fuses comply with IEC 60282 and ANSI specification.

ADDRESS:-

NH4, THANDALAM POST,
SRIPERUMBUDUR - 602105,
TAMIL NADU.

Email: sales@panickker.com

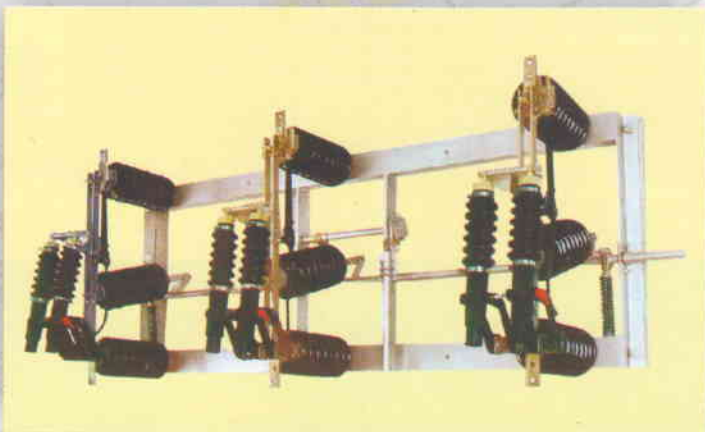
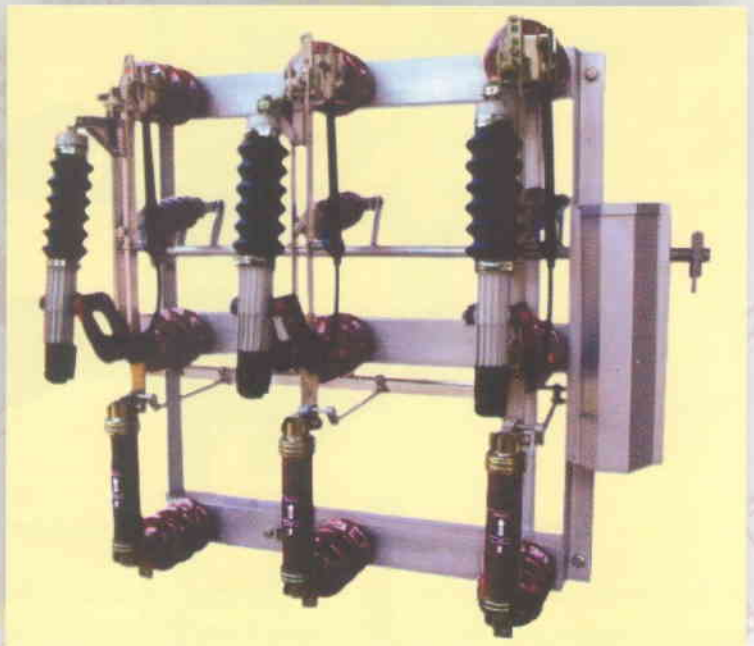
URL: <https://www.panickker.com>

TECHNICAL DATA

Rated Voltage	Rated Current	Type	Rated Mainly active load breaking current	Rated transformer off-load breaking capacity	Rated cable charging and line breaking current	Rated closed loop breaking current	Rated short time current	Rated peak current	Rated lightning impulse withstand voltage
kV	A		A	kVA	A	A	kA/1sec	kA	kV
12	400	LDFT1 12/ 400	400	1250	35	400	25	63	75/85
24	400	LDFT1 24/ 400	400	1250	20	400	16	40	125/145
36	400	LDFT1 36/ 400	400	1250	16	400	16	40	170/195
12	400	LFSTP2 12/ 400	400	1250	35	400	25	63	75/85
24	400	LFSTP2 24/ 400	400	1250	20	400	16	40	125/145

FEATURES

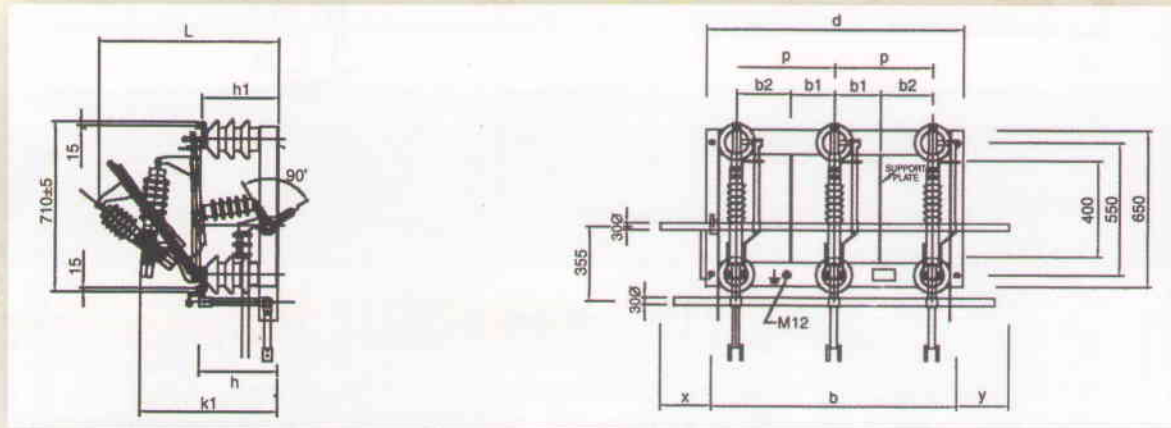
- * Hot dip galvanised switch shafts and base frames made of profiled steel.
- * Arrangement of the switch shafts in maintenance free bearings.
- * Hard porcelain / polycrystalline insulators are used.
- * Nickel plated electrolytic copper current paths.
- * Arc quenching medium of very low weight synthetic material, quenching by evaporation according to the hard gas principle.



- * HT HRC fuses rating upto 36kV, Breaking capacity 63kA.
- * Elimination of gun powder and fire hazards by using mechanically operated striker pin in fuse.
- * Tripping force is 120 KN.
- * Drop out fuses can be supplied instead of HRC fuses.

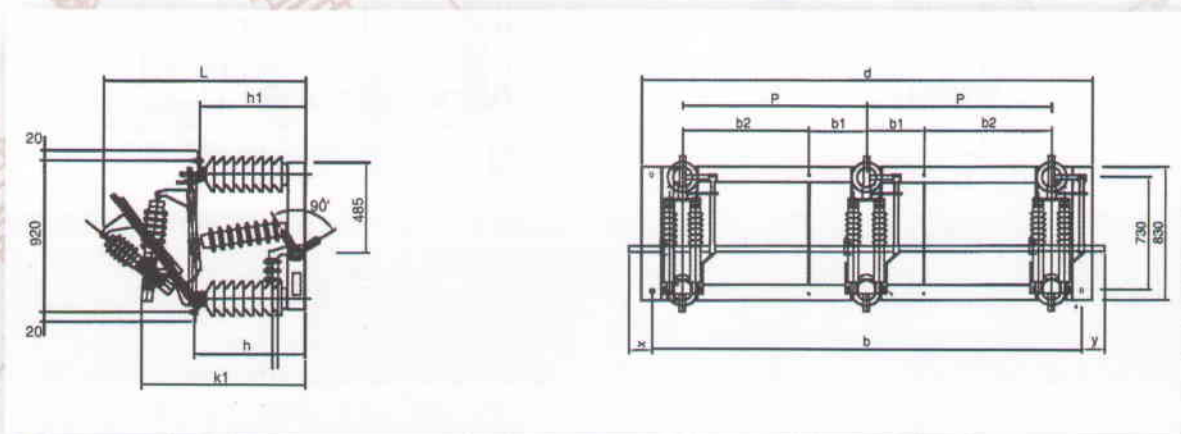
- * Modified pole distances (dimension p) and extended shaft (dimension x & y) are available at additional prices on request.
- * Silver plated current paths will be provided on request.
- * Single pole outdoor On load isolator.
- * On load isolator with earthing switch available on request.
- * If center attachment can be provided if desired.

LDFT 1VE (for vertical installation) with Earth Switch



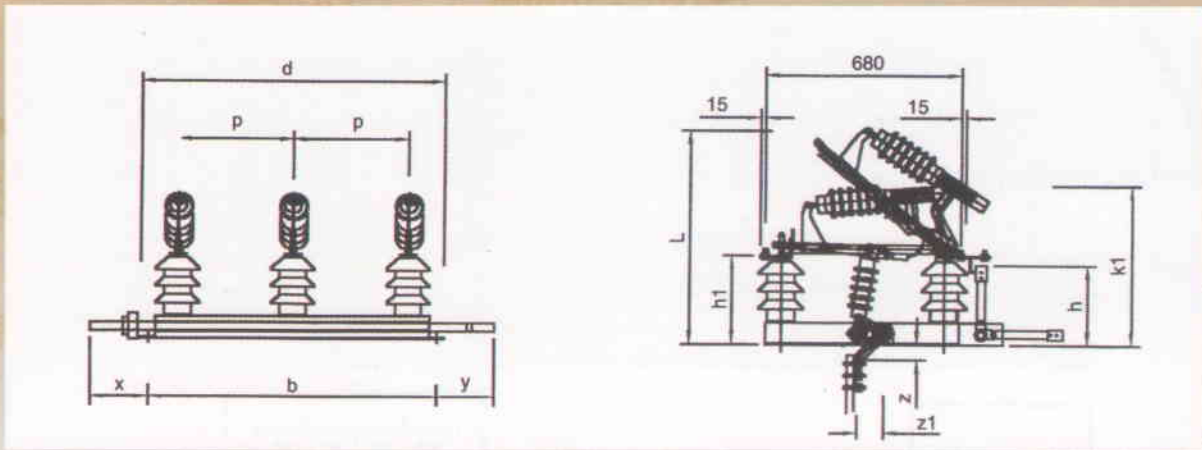
Rated voltage kV	Rated Current A	Type	Weight app. kg	Dimensions (mm)											
				b	b1	b2	d	h	h1	k1	l	p	x	y	z
12	400	LDFT1 VE 12/400	115	1000	130	270	1050	310	290	560	710	400	100	100	20
24	400	LDFT1 VE 24/400	140	1250	165	335	1300	440	440	700	840	500	100	100	60

LDFT 1V (for vertical installation)



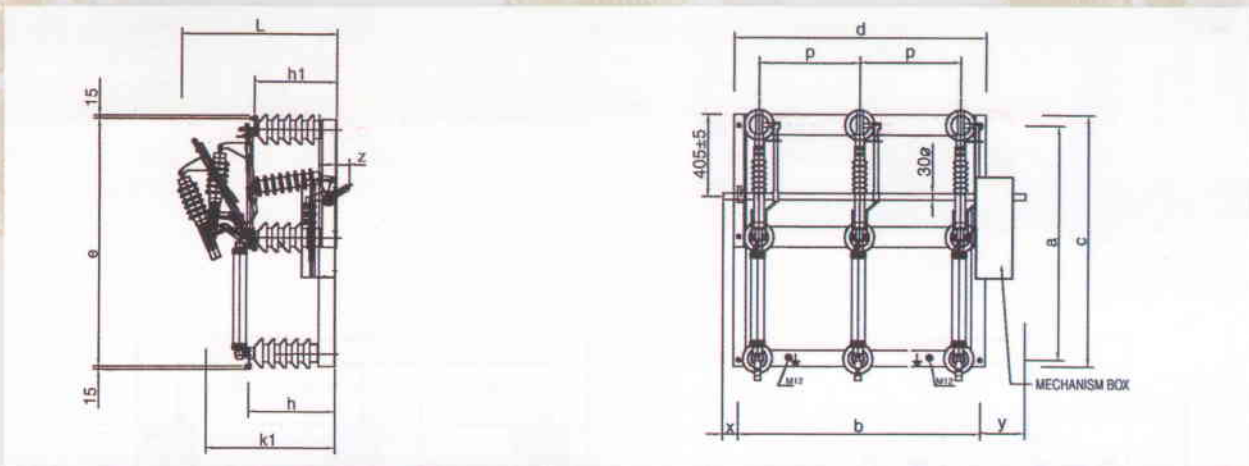
Rated voltage kV	Rated Current A	Type	Weight app. kg	Dimensions (mm)											
				b	b1	b2	d	h	h1	k1	l	p	x	y	z
36	400	LDFTX1 36 / 400	225	2150	205	695	2200	460	460	720	860	900	100	100	85

LDFT 1H (for horizontal installation) with Earth Switch



Rated voltage kV	Rated Current A	Type	Weight app. kg	Dimensions in mm.										
				b	d	h	h1	k1	l	p	x	y	z	z1
12	400	LDFT1HE 12/400	115	1000	1050	310	290	560	710	400	100	100	20	180
24	400	LDFT1HE 24/400	140	1200	1250	355	338	610	775	500	100	100	60	180
36	400	LDFT1HE 36/400	225	2150	2200	460	460	720	860	900	100	100	85	180

LFSTP2 WITH QUICK ACTING MECHANISM



Rated voltage kV	Rated Current A	Type	Weight app. kg	Dimensions in mm.												
				a	b	c	d	e	h	h1	k1	l	p	x	y	z
12	400	LFSTP2 12/400 SEA	170	1000	1000	1110	1050	1110	290	290	560	710	400	40	255	20
24	400	LFSTP2 24/400 SEA	200	1110	1250	1210	1300	1260	440	440	700	840	500	40	255	60

NOTE : 1. Current Rating can be increased to 630 A if desired.

2. As continuous developments are made to all Panickker products, equipment supplied may differ in detail from that described above.