

# FUSEGEAR ELECTRIC LIMITED

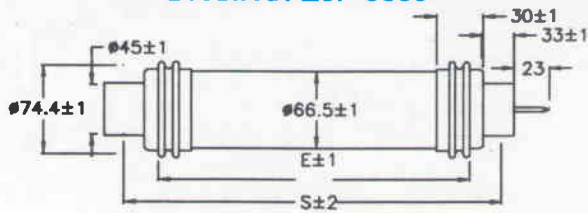


## **HIGH VOLTAGE HRC FUSES**

- ◆ For Motor, Voltage Transformer & Capacitor protection
- ◆ Indoor & outdoor use
- ◆ High operating performance due to excellent construction
- ◆ Elimination of gun powder & fire hazards, by using mechanically operated striker
- ◆ Low Arc voltage
- ◆ To suit DIN dimensions
- ◆ Rating upto 36KV, 63KA
- ◆ Confirm to BS 2692-1&IEC 60282

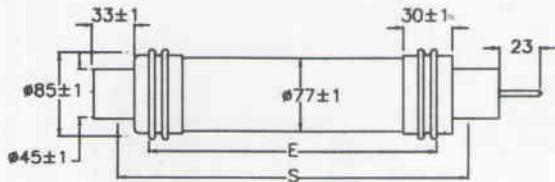
## HIGH TENSION FUSES

**DRG.NO. E9P 0009**



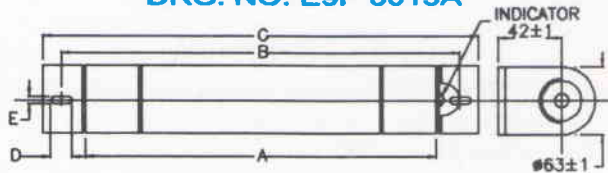
ITEM	VOLTAGE IN KV	CURRENT IN AMPS	E	S	TYPE
1	3.3/3.6	5 TO 80	192	225	FEHV-6
2	3.3/3.6	5 TO 80	292	325	FEHV-10
3	6.6/7.2	5 TO 50	292	325	FEHV-10
4	11/12	5 TO 50	292	325	FEHV-10
5	15/17.5	5 TO 63	442	475	FEHV-17.5
6	20/24	6 TO 63	442	475	FEHV-20
7	30/36	5 TO 63	537	570	FEHV-30

**DRG. NO. E9P 0028**



VOLTAGE IN KV	TYPE	CURRENT IN AMPS	E	S
3.3 TO 6	1a FEHVS	100 TO 160	192	225
	1b FEHVSL	100 TO 250	292	325
6.6 TO 7.2	2a FEHVS	70 TO 100	292	325
	2b FEHVSL	250 TO 500	442	475
10 TO 12	3a FEHVS	32 TO 200	442	475
	3b FEHVSL	250 TO 315	537	570
20 TO 24	4a FEHVS	63 TO 100	442	475
	4b FEHVSL	100 TO 160	537	570
30 TO 36	5a FEHVS	63 TO 100	537	570

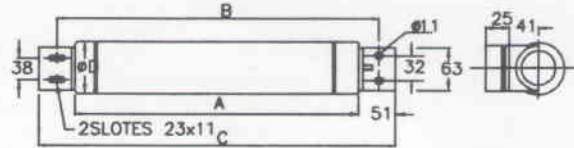
**DRG. NO. E9P 0015A**



ITEM	RATING	VOLTAGE	A±2	B±2	C±2	D	E	TYPE
1	UPTO 100A	UPTO 3.3 KV	190	235	260	12	10	FEDPK/1
2	UPTO 100A	UPTO 11 KV	254	308	354	23	12	FEDPK/2
3	UPTO 100A	UPTO 15 KV	360	418	460	23	12	FEDPK/3

### TYPE- FEDPK-CAPACITOR PROTECTION

**DRG. NO. E9P 0024A**

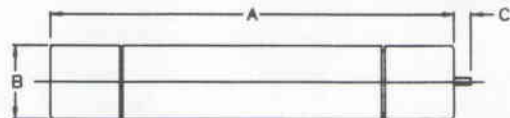


H . V . FUSE - USE IN AIR TO BS 2692

### TYPE FEDPS-3.3/6.6/12 KV-100A

ITEM	VOLTAGE IN KV	CURRENT IN AMPS	A	B	C	D	TYPE
1	3.3/3.6	5to 100	359	419	460	63.5	FEDPS
2	3.3/3.6	25to225	359	419	460	79	FEDPSS
3	6.6/7.2	5to80	359	419	460	63.5	FEDPS
4	6.6/7.2	45to160	359	419	460	79	FEDPSS
5	11/12	5to 125	359	419	460	63.5	FEDPS
6	15.5	5to50	359	419	460	79	FEDPSS
7	22/24	5to50	565	625	666	63.5	FEDPSL
8	22/24	5to50	565	625	666	79	FEDPSSL

**DRG. NO. E9P 0026**



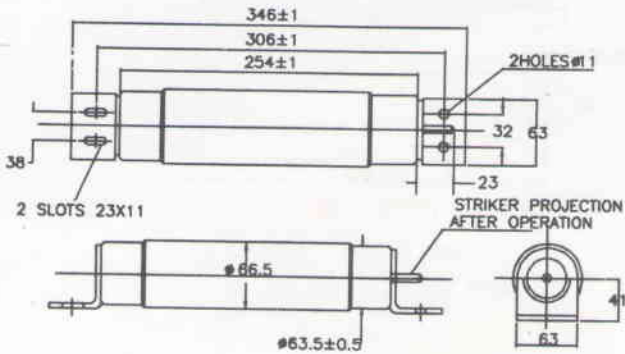
OIL FUSE

ITEM	VOLTAGE IN KV	CURRENT IN AMPS	A	B	C	TYPE
1	3.3/3.6	5to200	254	64	23	FEHVO/1
2	6.6/7.2	5to100	254	64	23	FEHVO/1
3	11/12	5to50	254	64	23	FEHVO/1
4	11/12	10to120	359	64	23	FEHVO/2
5	22/24	5to35	565	64	23	FEHVO-20
6	22/24	5to80	565	79	23	FEHVS0-20
7	33/36	5to63	914	64	23	FEHVO-30

Main Dimensions in Millimetres

## HIGH TENSION FUSES

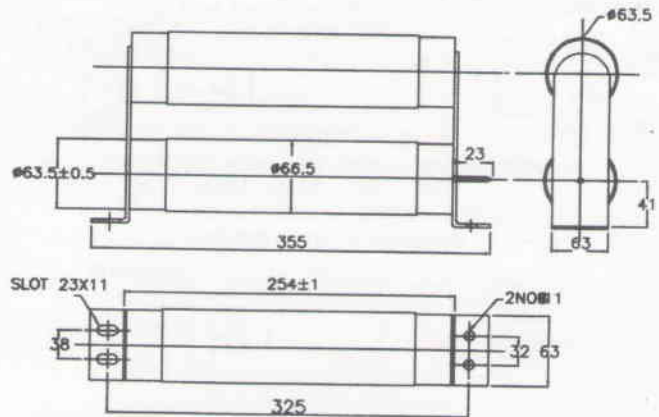
DRG. NO: E9P0221



**TYPE : FEHVOT1**

ITEM	VOLTAGE	RATING
1	3.3/3.6 KV	5 to 200A
2	6.6/7.2 KV	5 to 80A
2	6.6/7.2 KV	5 to 80A

DRG NO: E9P0223

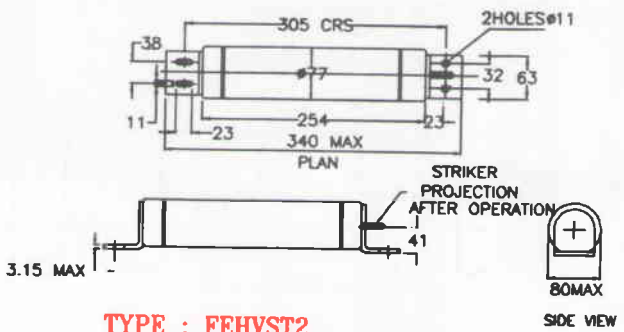


**TYPE : FEHVOT3**

VOLTAGE RATING : 3.3/3.6 KV

AMPS RATING : 160, 200, 250 & 300A

DRG NO : E9P 0246

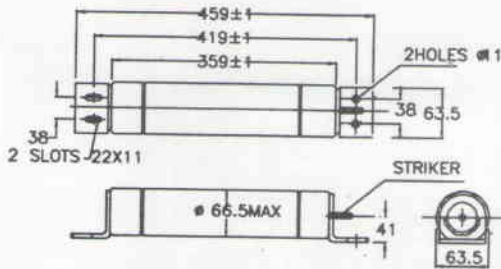


**TYPE : FEHVST2**

AMPS RATING : 100A, 160A, 200A, 250A, 315A 350A, 450A.

VOLTAGE RATING : 3.3/3.6 KV

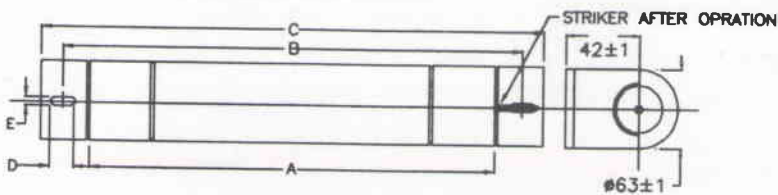
DRG NO E9P 0222



**TYPE : FEHVOT2**

Amps rating : 5, 10, 16, 20, 25, 32, 40, 50, 63, 80A & 100A  
3.3 - 12 KV

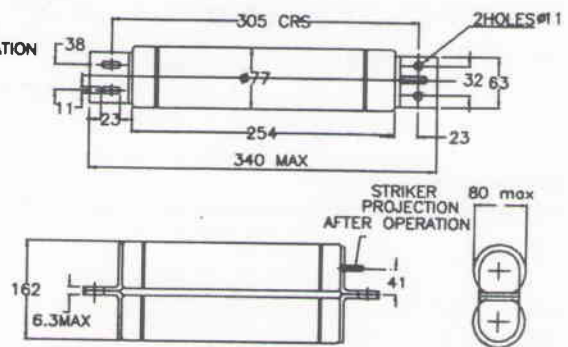
DRG. NO. E9P 0224



ITEM	RATING	VOLTAGE	A±2	B±2	C±2	D	E
1	5 TO 80A	3.3/3.3 KV	190	235	260	12	10

**TYPE- FEHVOT5- MOTOR PROTECTION**

DRG NO : E9P 0247



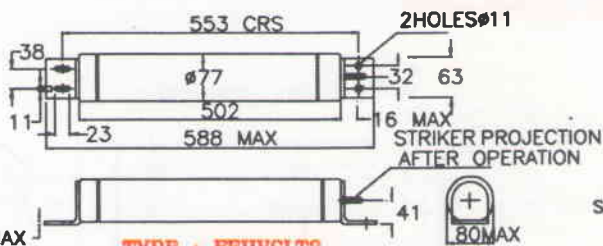
**TYPE : FEHVST2X2**

AMPS RATING : 630A

VOLTAGE RATING : 3.3/3.6 KV

## HIGH TENSION FUSES

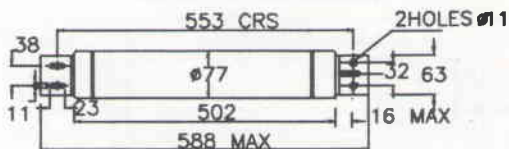
DRG NO : E9P 0248



**TYPE : FEHVS LT2**

AMPS RATING : 50A, 63A, 80A, 100A,  
125A, 160A, 200A, 250A, 350A, 450A  
VOLTAGE RATING : 6.6/7.2 KV

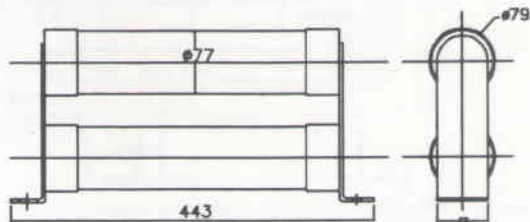
DRG NO : E9P 0249



**TYPE : FEHVS LT2X2**

AMPS RATING : 400A, 500A, 630A.  
VOLTAGE RATING : 6.6/7.2 KV

DRG NO : E9P0250

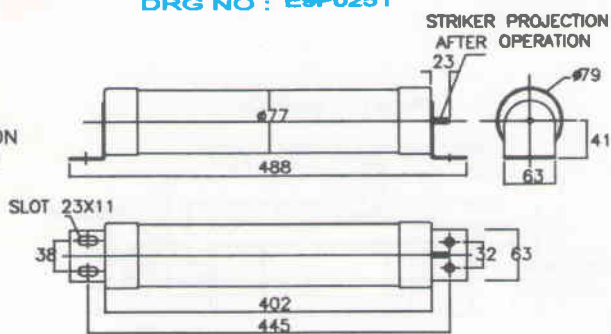


**TYPE : FEHVS T3**

VOLTAGE RATING : 6.6 /7.2 KV

AMPS RATING : 160, 200, & 320A

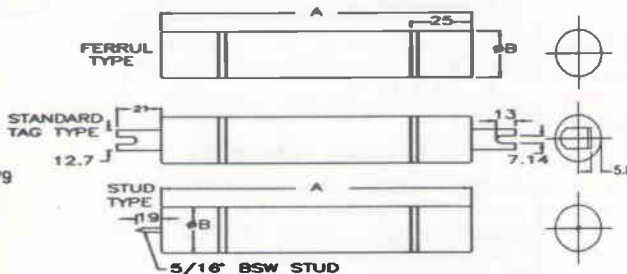
DRG NO : E9P0251



**TYPE : FEHVS T4**

VOLTAGE RATING : 6.6/7.2 KV  
AMPS RATING : 50, 63, 80, 100, 125,  
160, 200, & 250A

## VT PROTECTION FUSES



ITEM	VOLTAGE IN KV	CURRENT IN AMPS	A	B	TYPE
1	3.3/3.6	UPTO 3.15	145	22	FEIF/FEIFO
2	3.3/3.6/7.2	UPTO 3.15	195	25.4	FEVT/FEVTO
3	3.3/12	UPTO 3.15	195	25.4	FEVT/FEVTO
4	11/12	UPTO 3.15	254	25.4	FEVTL/FEVTL0
5	15.5	UPTO 3.15	359	25.4	FEVT/FEVTO
6	22/24	UPTO 3.15	380	25.4	FEVT/FEVTO
7	33/36	UPTO 3.15	500	25.4	FEVT/FEVTO

Fifth Letter 'S' for stud type.(FXVT)

Fifth Letter 'T' for standard tag type.(FEVTT)

Main Dimensions in millimeters

*The Company's policy is one of continuous improvement and development of its products.  
The specifications shown are therefore subject to change without notice.*

Manufactured by

**FUSEGEAR ELECTRIC LTD.**

Works :

Vellanthangal Village, Thandalam post,  
Sriperumpudur - 602 105. INDIA.

Phone : 04111-56245/56175, Fax : 04111-56176.

City Office:

25, Janakiraman Colony, Arumbakkam, Chennai - 600 106

E-mail : fusegear@vsnl.com, panickker@vsnl.com

Web : fgindia.com, fusegearelectric.com, driescherpanickker.com

Phone : 044-4750554 Fax: 044-4754596

Marketed by: