

## Indoor Load Break Switches & Switch Fuses - E3 Category 12/24/36 kV- 40kA - 3Sec.

**Indoor Load-break Switch** with epoxy Supports, double switch blades and contacts with arc quenching chambers and lagging pins, loopless current paths, structural steel base frame, with quick making and stored energy tripping device for three-pole disconnection by the fuse-striker-pin.

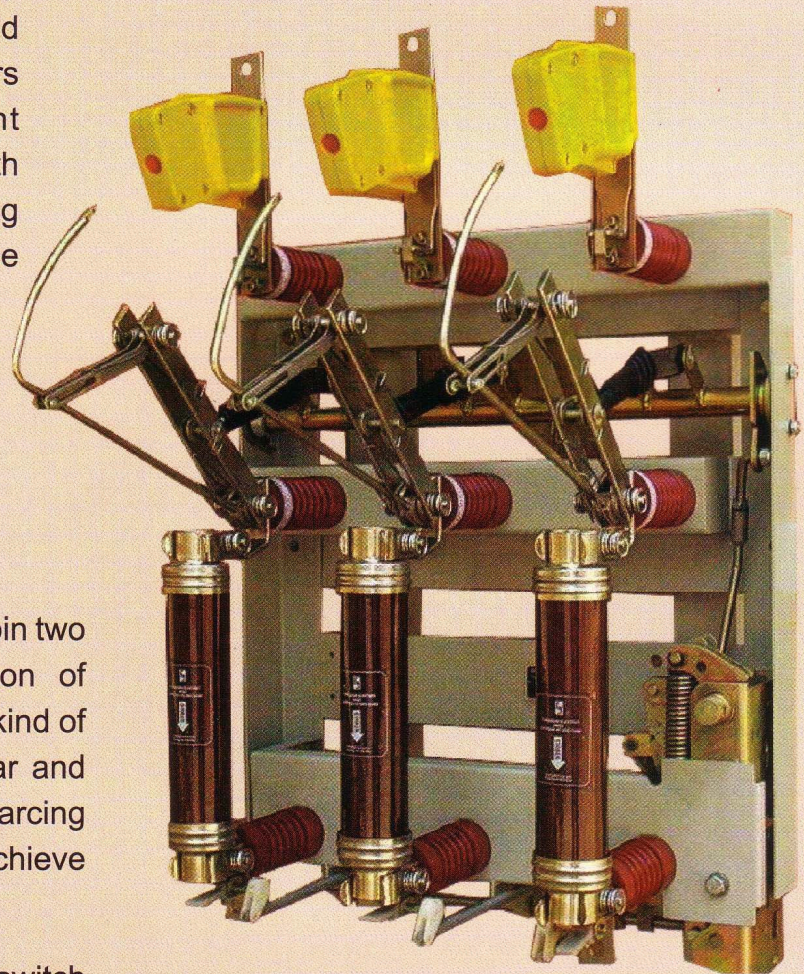
**PANICKKER** Load-break switches have proved to be excellent for years. They have many advantages which have made this type of switch superior to others.

The dry type arc quenching chambers join two switch principle for safe disconnection of heavy and small currents. The present kind of construction is characterized by a clear and easily surveyable unitized system. The arcing contacts are guided through a chute to achieve total safety.

Due to plastic insulation, the load break switch has a lighter weight and greater electrical and mechanical safety.

**PANICKKER** load break switches can be used with ring-main-units, as transformer switches (with high-tension HRC fuses as short circuit protection) or instead of bus isolators in distribution stations.

**PANICKKER** load break switches fulfill IEC - 60265 specification.



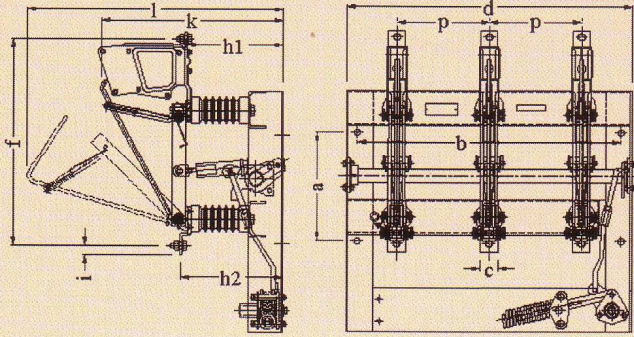
**PANICKKER  
SWITCHGEAR LTD**

**Regd. Office & Works :**

Thandalam PO, NH 4,  
Sriperumbudur - 602105,  
Ph: 0091-44-27156175, 27156245.  
Fax: 091-44-27156176.

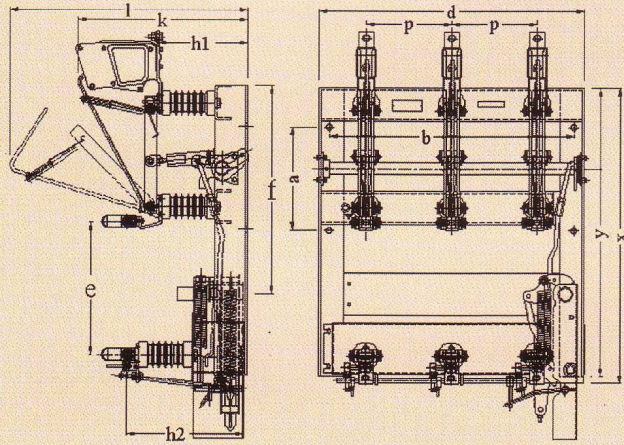
**Administrative Office:**

25, Janakiram Colony Main Road  
Arumbakkam, Chennai - 600 106.  
Ph: 0091-44-24758231, 24750554.  
Fax: 0091-44-24754596.  
E-Mail : info@panickker.com  
Website : www.panickker.com



Rated Voltage kV	Rated Current A	Rated Breaking Capacity A	Short Time Current for 3 Sec	Type	Approx. Weight In Kgs
12	630	630	40KA	LDTP3 12/630F	25
24	630	630	25KA	LDTP3 24/630F	40
36	630	630	25KA	LDTP3 36/630F	65

Rated Voltage kV	Rated Current A	a	b	c	d	e	f	h1	h2	i	k	l	p	x
12	630	250	600	550	650	40	470	222	235	20	398	585	210	500
24	630	350	750	660	780	40	590	315	320	20	535	760	275	610
36	630	450	1000	760	1040	40	640	315	320	20	535	760	400	850



Rated Voltage kV	Rated Current A	Rated Breaking Capacity A	Short Time Current for 3 Sec	Type	Approx. Weight In Kgs
12	630	630	40KA	LDTP3 12/400SEA	50
24	630	630	25KA	LDTP3 24/400SEA	70
36	630	630	25KA	LDTP3 36/400SEA	95

Rated Voltage kV	Rated Current A	a	b	d	e	f	h1	h2	k	l	p	x	y
12	630	280	600	650	300	500	222	-	398	585	210	700	895
24	630	350	750	780	445	720	315	320	535	760	275	990	1120
36	630	450	1000	1040	540	840	315	320	535	760	400	1110	1240

As continuous developments are made to PANICKER products, equipments supplied may differ in detail from that described above.